

Assembly- and operating instructions for Garage Door Opener

LIFTPROTM
EVO



Model PL750EV-GB

Note:

The original installation and operating instructions were compiled in German.
Any other available language is a translation of the original German version.

1	General safety guidelines.....	3
2	Intended use.....	4
3	Scope of supply.....	4
4	Product overview.....	4
5	Before you begin.....	4
6	Door Types.....	4
7	Preparation.....	4
8	Tools required.....	4
9	Assembling the rail.....	5
10	Tighten the belt.....	5
11	Fitting rail to the drive.....	5
12	Centre of the garage door.....	5
13	Mounting header bracket.....	5
14	Attaching drive to header.....	5
15	Hang opener.....	6
16	Mounting door bracket.....	6
17	Attaching door arm on the trolley.....	6
18	Electrical connection.....	6
19	Install illuminated push button or Multi-function door control (optional accessory 75EV or 78EV).....	6
20	Installation of photocells (optional accessory G770E / 771EV / 772E).....	7
21	Connecting the opener.....	7
22	Program opener and test.....	7
23	Setting the Limits.....	7
24	Test the Safety Reverse System.....	8
25	Program your opener and remote / the Wireless push button (optional).....	8
26	Connect the LiftMaster Internet Gateway (optional accessory 828EV).....	8
27	Special Features (optional).....	9
28	Operation of the door opener.....	10
29	Attach warning labels (see fig. 28).....	11
30	Cleaning and maintenance.....	11
31	Cleaning.....	11
32	Maintenance.....	11
33	Replace batteries of the remote control.....	11
34	Operator light.....	12
35	Disposal.....	12
36	Frequently asked questions.....	12
37	Diagnostic Chart.....	14
38	Door dimensions und -weight.....	14
39	Intended area of use.....	14
40	Optional Accessories.....	15
41	Service parts / Warranty.....	15
42	Declaration of conformity.....	15
43	Storage & Disassembly.....	15
44	Specifications.....	15

WARNING!

START BY READING THESE IMPORTANT SAFETY INSTRUCTIONS!

1 General safety guidelines

Before you begin the installation: Please read the operating instructions and especially the precautions. Keep the manual for future reference and pass it on to a possible subsequent owner.

Attention! Before installation of opener to door, the separately delivered cover with logo must be mounted to the operator. The following symbols are placed in front of instructions to avoid personal injury or property damage. Read these instructions carefully.



CAUTION

Personal injury or property damage



CAUTION

Danger due to electric current or voltage

Important safety information

The automated door opening system has been as a matter of course tested and designed for safe operation, but safety can be assured only if the safety instructions listed below are strictly adhered to during installation and operation.

- The installer (specialist) must carefully read and understand these instructions before starting any work. Before first use and at least annually a specialist must inspect powered windows, doors and gates regarding their safe condition. Specialist is, who on the basis of their technical training and experience, has sufficient knowledge in the field of powered windows, doors and gates and moreover is familiar with relevant state occupational safety regulations and generally accepted rules of technology in such an extent that he is also able to assess the safe working condition of powered windows, doors and gates.
- The person installing must have knowledge of the following standards: EU: EN 13241, EN12604, EN 12453; GB (UK, NI) BS EN 13241, BS EN12604, BS EN 12453. The trained specialist/expert must instruct the operator in the following:
 - The operation of the drive and its dangers
 - The procedure of the manual emergency release mechanism
 - The regular maintenance, inspection and care, and his tasks
 - The operator must instruct other users on the operation of the drive. After successful installation of the drive, the person responsible for the installation of the drive in accordance with the Supply of EU: Machinery Directive 2006/42/EC; GB (UK, NI): Supply of Machinery (Safety) Regulations 2008 SI 2008 No. 1597 must issue the EU: EC / GB (UK,NI): UK declaration of conformity for the door system. The CE mark and a type plate must be attached to the door system. This is also obligatory in the process of retrofitting on a manually operated door. Further, a handover file and an inspection book must be completed.
- The door should be balanced. Unmoving or stuck doors must be repaired. In an unbalanced state, garage doors, door springs, cables, discs, brackets and rails are under extreme tension, which can lead to serious injury. Do not attempt to loosen, move or realign the door, but contact service centre or a door professional.
- During the installation or maintenance of a door opener, no jewellery, watches or loose clothing should be worn.
- To avoid serious personal injury due to entanglement, remove all cables and chains connected to the door before installing the door opener.
- During installation and electrical connection, the local building and electrical regulations must be observed.

This device complies with Protection Class 2 and does not require grounding.
- To avoid damage to very light doors (such as fibre glass, aluminium or steel doors), an appropriate reinforcement should be added. To do so, contact the door manufacturer.
- The automatic safety reverse system should undergo a test. Upon contact with a 50 mm high barrier on the ground, the garage door MUST return. Failure to properly adjust the door opener can result in serious personal injury from a closing garage door. Repeat test once a month and make any needed changes.
- This system must not be installed in damp or wet areas.
- During operation, the gate should not under any circumstances obstruct public passageways.
- To remind all operators of the safe operation, in addition to the illuminated wall switch a warning sign to protect children should be affixed. The warning signs about the risk of trapping should be placed in clearly visible spots.
- Children should be supervised to ensure that they do not play with the device.
- This device is not intended for use by persons (including children) with restricted physical, sensory or mental abilities or lack of experience and/or knowledge, unless they are supervised by a person responsible for their safety or have received instruction in how to use the device.
- All barriers / locks are deactivated to avoid damage to the door.
- If necessary, installed control equipment MUST be mounted within sight of the door and out of reach of children. Children should not be allowed to operate the buttons or remote controls. Misuse of the door opener can result in serious injury.
- The door opener should ONLY be used if the operator can see the entire door area and is assured that it is free of obstacles and the door opener is set correctly. No one may pass through the door while it is moving. Children must not be allowed to play in the vicinity of the door.
- Use the manual release only for the separation of the carriage from the drive and – if possible – **ONLY** with the door closed. Do not use the red handle to push the door up or pull it down.
- Before performing any repairs or removing covers, the door opener should be separated from the electric power supply. **The repairs and electrical installations may be performed only by an authorized electrician.**
- This product has a transformer with a special power cord. In case of damage this MUST be replaced with an original transformer by a qualified technician.
- Operation of the emergency release can lead to uncontrolled movements of the door, if springs are weak or broken or if the door is unbalanced.
- Mount the release handle of the emergency release at a height less than 1.80 m.
- The connection for door in door switch, safety edge and a second photocell requires the ADP-1EVO adapter. These must comply with EN12453.
- Lack of maintenance can lead to unsafe operation.

Save these instructions.

2 Intended use

This garage door opener has been designed in accordance with the requirements of the EU Machinery Directive 2006/42/EC; GB (UK,NI): Supply of Machinery (Safety) Regulations 2008 SI 2008 No. 1597. The garage door opener has an integrated radio receiver. Optional accessories are available and described, they may have different use. The garage door operator is intended exclusively for the opening and closing of garage doors (please refer to section 6 "Door Types"). The device is not meant for commercial use but solely for the use in private garage doors that are appropriate for a single household. Note the manufacturers specifications regarding the door and operator combination. The door must meet mechanical requirements according EU: EN 12064; GB (UK, NI) BS EN12604. Any improper use of the drive could increase the risk of accidents. The manufacturer assumes no liability for such usage. Only the original accessories may be connected to the drive. With this drive, the door must comply with the current and valid international and country-specific standards, guidelines, and regulations EU: EN 13241/EN 12543, EN12604; GB (UK, NI): BS EN 13241/BS EN 12453/ BS EN12604.

3 Scope of supply

Please check the supplied parts for completeness before starting the installation. Note: The numbering only applies to the corresponding section.

Parts overview:

1. Drive head	1x
2. Remote control	2x
3. Rail bracket	2x
4. Hardwarebag	1x
5. Wireless Wall Control	1x

Parts overview (Rail):

6. Header bracket	1x
7. Door bracket	1x
8. Adapter for gear wheel	1x
9. Curved door arm	1x
10. C-bracket	2x
11. Hanging bracket	6x
12. Rail	1x

Hardwarebag:

13. Truss head screw 6 x 80 mm	1x	18. Safety cotter pin	1x
14. Lock nut M6	1x	19. Screw ST 6 x 50 mm	6x
15. Hexagonal head screw	4x	20. Screw ST 6,3 x 18 mm	8x
16. Nut M6	6x	21. Plug	6x
17. Bolt	1x		

4 Product overview

This figure always offers you a complete overview of the readyassembled system during the step by step installation of the system.

- | | |
|---------------------|----------------------|
| a. Header bracket | h. Power cable |
| b. Belt | i. Drive head |
| c. Rail | j. Release |
| d. Carriage | k. Straight door arm |
| e. Connecting piece | l. Curved door arm |
| f. Rail bracket | m. Door bracket |
| g. Hanging bracket | |

5 Before you begin

IMPORTANT NOTE

If your garage does not have a side entrance, an external emergency release should be installed. This allows for manual operation of the garage door from the outside during power failure.

6 Door Types

Mechanical requirements according EU: EN12604 / GB (UK, NI): BS EN 12604.

- A. One-Piece Door with Horizontal Track Only.
- B. One-Piece Door with Horizontal and Vertical Track – Special canopy door arm is required and the Protector System™ required. See your dealer.
- C. Sectional Door with Curved Track.
- D. Canopy door – Special canopy door arm and the Protector System™ required. See your dealer.
- E. The Canopy Door Arm for use on door types B and D.
- F. Side moving sectional door - In the opening direction, the gap between the main edge in open direction of a side moving sectional door and the opposite edge must be more than 500 mm. See section F installation drawing.

7 Preparation

First, check whether your door is balanced and in equilibrium. Open your door about halfway and let it go. The door can now hardly change its position **independently**, but must remain in this position held by the spring force alone.

- 1. The rail of the garage door **MUST** be connected securely and firmly to the supporting wall or ceiling above the garage door.
- 2. Additional brackets and mounting rails (not included in the supply) might be required, if the your garage ceiling has a cladding, boards or similar.
- 3. If your garage does not have a separate side entrance, an external emergency release (refer to section 34 "Optional Accessories") must be installed.

8 Tools required

Tool list:

Ladder	Hacksaw
Marking pen	Different drill bits for concrete and/or wood (8, 6, 5, 4.5 mm)
Pliers	Box wrench
Drilling machine	Water level
Hammer	Screwdriver
Ratchet 10 mm / 13 mm	Measuring tape

9 Assembling the rail



Important instructions for a safe installation.
Observe all assembly instructions.
Incorrect installation can cause serious injury.

The rail is largely preassembled and consists of 3 parts. The carriage, push rod, release handle, the guide pulley and the lintel bracket with belt tensioner are in the front part (A). The seating for the drive shaft and the sprocket are in the rear part (B). Lay the front and rear rail sections one behind the other.

1. Remove cable ties that secure the belt.
2. Pull apart the two rail sections completely in order to create a gap for the middle section (C). This rail is designed in such a way so as to easily add the middle section. Slide the 2 connecting pieces (D) over the seams of the rail sections up to the markings. To secure the connecting pieces, bend the sheet metal lugs outwards with a suitable tool.

The assembly of the rail is complete.

10 Tighten the belt

Tighten the belt of the rail until the spring (1) is compressed only by about half. The spring must compress and be able to bounce during operation.

11 Fitting rail to the drive

1. Check if the belt is seated on the gear-wheel. If the belt has slipped off during assembly, relax the belt, lay it and tighten again.
2. Turn around the rail (1) and completely put on the opener (3) with the gear side (2).
3. Secure the rail on the opener with two mounting brackets (10) and the short screws (20).



Optional:

To reduce the total overall length by 140 mm the drive can be rotated by 90° as shown in fig.11. This allows access and programming sideways. Unscrew the switch and mount it to the designated second position. Remove the rubber plug in order to seal the cable exit. Proceed with step 3. The change must be made by an authorized electrician.

12 Centre of the garage door

Eye protection goggles should be worn for overhead work. All available barriers / locks should be deactivated to avoid damage to the door.

To avoid serious injuries, remove all cables and chains connected to the door before installing the door opener. The door opener should be mounted at a height of at least 2.10 m above the ground.

First, mark the centre line of the door (1). Draw a line to the ceiling starting from this point.

For installation on the ceiling, draw another line to the centre of the ceiling (2) perpendicular to the door starting from this line. Length approx. 2.80 m.

13 Mounting header bracket

Note: Mount the rail max. 50mm above the top edge of the door. Depending on the door type, the top edge of the door is lifted by a few cm during opening.

A. Wall fastening:

Mount header bracket (6) centrally on the vertical centre line (2); thereby its lower edge lies on the horizontal line. Mark all holes for the header bracket. Pre-drill holes with 4.5 mm diameter and fasten the header bracket with wood screws (19).

Note: In case of mounting on a concrete slab / concrete header, the provided concrete plugs (21) and screws (19) should be used. Drill hole size in concrete: 8 mm.

B. Ceiling suspension:

Draw vertical centre line (2) further up to the ceiling and about 200 mm along the ceiling. Attach header bracket (6) centrally on the vertical marking up to 150 mm removed from the wall. Mark all holes for the header bracket. Drill holes with 4.5 mm diameter and fasten the header bracket with wood screws (19).

14 Attaching drive to header



It may be necessary to place the drive temporarily higher, so that the rail does not hit the springs in sectional doors. The drive must either be well supported (ladder) or held firmly by a second person. Put drive head on garage floor under the lintel bracket. Lift rail up till the holes of the fixing part and the holes of the lintel bracket are aligned. Insert screw (13) through the holes and secure with nut (14).

15 Hang opener

Fully open the door, put down door opener on the door (Fig. A). Lay a piece of wood / cardboard on the marked spot (X).

The opener must be securely fastened to a structural support of the garage.

Three representative installations are shown (Fig. B). Yours may be different. Hanging brackets (11) should be angled to provide rigid support. On finished ceilings, attach support bracket(not delivered) to a self-supporting structural element before installing the opener. For concrete ceiling mount, use concrete anchors (21) provided.

On each side of opener measure the distance from the opener to the structural support (or ceiling). Cut both pieces of the hanging bracket to required lengths. Flatten one end of each bracket and bend or twist to fit the fastening angles. Do not bend at the bracket holes. Drill 4,5mm pilot holes in the structural supports (or ceiling). Attach brackets to supports with wood screws (19).

Lift opener and fasten to hanging brackets with screw (15) and nut (16). Check to make sure rail is centered over the door. Remove piece of wood / cardboard. Operate door manually. If door hits the rail, raise header bracket.

After the installation of the garage door drive, particularly using a rail extension, if the rail is observed to be bent up or down for more than 5 cm during the beginning or end of the travel as well as while encountering an obstacle, a central suspension must be provided by the customer. For this, please contact the manufacturer of the garage door drive.



Pay attention to a horizontal course of the rail along the ceiling. The distance can be adjusted by the given hole spacing. Protruding ends of the ceiling fixture can be reduced if necessary.

16 Mounting door bracket

Installation in sectional or one-piece doors:

The door bracket (7) has multiple mounting holes. Attach door bracket top centre on the inside of the door as shown. Mark holes and screw door bracket.

1. One-piece or sectional door with a guide rail:
distance to door top edge 0-100 mm.
2. Sectional door with two guide rails:
distance to door top edge 100-130 mm.

NOTE: The attachment point on the door must be the frame or a stable place on the door panel. If necessary, drill through and screw (not included) together as shown in Fig. B.

17 Attaching door arm on the trolley

The straight door arm is already pre-assembled.

Recommended installation:

The trolley can be separated from the drive by pulling the red handle and manually pushing towards the door. When the door is closed, fix the curved door arm (9) on the door bracket with the bolt (17) and secure with cotter pin (18). Connect straight and curved door arms together flush with an overlap of 2 holes with screw (15) and secure with nut (16). Choose the holes in such a way that the door arm stands at an angle of about 30-40°.

NOTE:

The curved door arm can be omitted, if the door fitting has been attached at the far upper edge of the door.



Mount the release handle of the emergency release at a height less than 1.80 m. Attach the yellow label regarding the release of the garage door opener (sticker) on the cord of the door handle.

18 Electrical connection



In order to avoid personal injury and damage to the device, the door opener should be operated only if such an instruction is explicitly stated in this manual. The power plug must always be accessible for the purpose of disconnecting the mains supply. Electrical installations may only be undertaken by an authorized electrician.

19 Install illuminated push button or Multi-function door control (optional accessory 75EV or 78EV)

Locate door control where the garage door is visible, away from door and door hardware and out of the reach of children. Mount at least 1,5 m (5 feet) above the floor. Permanently fasten the caution label permanently to the wall near the door control as a reminder of safe operating procedures. There are 2 terminals on the back of the door control. Strip about 6mm of insulation from bell wire. Separate wires enough to connect the white/red wire to RED terminal screw and the white wire to WHT terminal screw. Fasten the door control to an inside garage wall with sheet metal screws provided. Drill 4mm holes and use anchors if installing into drywall. A convenient place is beside the service door and out of reach of children. Run the bell wire up the wall and across the ceiling to the garage door opener. Use insulated staples to secure wire.

Operation of the Door Control:

Press to open or close the door. Press again to stop the door while moving.

20 Installation of photocells

After installing and adjusting the door opener, photocells can be installed. The instructions for installation are included in the scope of delivery of the light barrier and must be followed. **The optional photocells ensure that the door is open, or remains open, if people, especially young children, are in the door area.** By means of the photocells, a closing door is opened or an open door is obstructed from closing, if a person located in the door area interrupts the sensor beam.

For inspection and maintenance of the photocells, see the manual of photocells. Connection of a second photocell requires the ADP-1EVO adapter.

21 Connecting the opener

Connect opener in accordance with local rules and regulations to a properly installed wall socket.

NOTE: When the opener is switched on, the operator light is also turned on for 2.5 minutes.

22 Program opener and test



The door opener should only be used if the operator can see the entire door area and is assured that it is free of obstacles and the door opener is set correctly. No one may pass through the door while it is moving. Before the first opening operation, check that all the facilities that are not needed are turned off. Remove all mounting aids and tools from the pivot area of the door.

23 Setting the Limits

Travel limits regulate the points at which the door will stop when moving up or down. Follow the steps below to set the limits.

This operator is equipped with a two speed system that is automatically set by the software. Canopy or 1-piece garage doors will automatically run in slow speed to insure a safe operation according regulatory. Doors traveling shorter than 190 cm will run automatically slow.

INTRODUCTION:

Your garage door opener is designed with electronic controls to make setup and adjustments easy. The adjustments allow you to program where the door will stop in the open (UP) and close (DOWN) position. The electronic controls sense the amount of force required to open and close the door. The force is adjusted automatically when you program the travel.

NOTE:

If anything interferes with the door's upward travel it will stop. If anything interferes with the door's downward travel, it will reverse. To watch a short instructional video on programming your new garage door opener use your smartphone to read the Code on this manual's back side or visit www.chamberlain.eu.

PROGRAMMING BUTTONS:

The programming buttons are located under a removable cover on the back side of the garage door opener (see fig24).

1. Press and hold the square Adjustment Button until the UP Button begins to flash.
2. Press and hold the UP Button until the door is in the desired UP position. NOTE: The UP and DOWN Buttons can be used to move the door up and down as needed.
3. Once the door is in the desired UP position press and release the Adjustment Button. The garage door opener lights will flash and the DOWN Button will begin to flash.
4. Press and hold the DOWN Button until the door is in the desired DOWN position. Make sure the rail does not bend. NOTE: The UP and DOWN Buttons can be used to move the door up and down as needed.
5. Once the door is in the desired DOWN position press and release the Adjustment Button. The garage door opener lights will flash and the UP Button will begin to flash.
6. Press and release the UP Button. When the door travels to the programmed UP position, the DOWN Button will begin to flash. Note: IF the door does not travel to the UP position the travel limit programming failed. Begin again with step1. If door travel is too short please refer to section 36 "Frequently Asked Questions".
7. Press and release the DOWN Button. The door will travel to the programmed DOWN position. Programming is complete.

24 Test the Safety Reverse System



The safety reverse system test is important. Garage door must reverse on contact with a 50 mm obstacle laid flat on the floor. Failure to properly adjust opener may result in serious personal injury from a closing garage door. Repeat test once a month and adjust as needed.

OBSTACLE TEST:

Place a 50 mm high obstacle (1) under the garage door on the floor. Move door downwards. The door must reverse when it comes into contact with the obstacle. If upon contact the door **stops**, the door does not move **down** far enough. In this case repeat limit setting. If the door reverses after contact with the 50 mm high obstacle, remove obstacles and open and close the door completely once. The door should not go back, if it reaches the door position „Closed“. If it still reverses both limits must be reprogrammed.

OPENING TEST: Apply 20 kg to the middle of the door.
The door should not open completely.

25 Program your opener and remote / the Wireless push button (optional)

Activate the opener only when door is in full view, free of obstruction and properly adjusted. No one should enter or leave garage while door is in motion. Do not allow children to operate push button(s) or remote(s). Do not allow children to play near the door.

Your garage door opener receiver and one of the buttons remote control are pre-programmed. If you purchase additional remote controls, the garage door opener must be programmed to accept the new remote code.

Program the Receiver to Match Additional Remote Controls: Using the yellow round button.

1. Press and release the yellow round button on the opener. The learn indicator light will glow steadily for 30 seconds (1).
2. Within 30 seconds, press and hold the button on the hand-held remote that you wish to operate your garage door (2).
3. Release the button when the opener light blinks once. It has learned the code. Now the opener will operate when the remote control push button is pressed. If you release the remote control push button before the opener light flashes, the opener has not learned the code.

To Erase all Remote Control Codes

To deactivate any unwanted remote, first erase all codes: Press and hold the yellow round button on opener until the learn indicator light goes out (approximately 10 seconds). All previous codes are now erased. Reprogram each remote or keyless entry you wish to use.

26 Connect the LiftMaster Internet Gateway (optional accessory 828EV)

Before starting you **MUST** have:

- a router
- active internet connection
- a free “Ethernet” terminal on your router
- internet gateway serial number (on the backside of the device)
- a pair of photocells connected to the garage door opener. If there are no photocells connected the garage door can only be opened.



WARNING!

To prevent possible **SERIOUS INJURY** or **DEATH**:

- When the LiftMaster Internet Gateway is used with a garage door opener, the opener **MUST ONLY** be installed with sectional doors.
- Never allow children playing with the garage door, the remote control, wall-switches or any other accessories.
- Operate the garage door only when it is technically faultless and the door area is free of obstructions or people.
- This product allows operating the garage door without visual control.
- Therefore the door may execute unexpected travels. Never pass through a closing garage door.
- For residential use only. Only instructed people may use this product.
- Some parts of the car (doors, trunk lids) may extend into the travel path and cause serious damage to the garage door and/or the car.
- The serial number on the backside of this device is for your personal use only. Save this number from others.

1. Connect

Connect the provided ethernet cable (1) to router (2). Use the plug valid for your country (not all models). Connect power (3) to the internet gateway (4). When the internet gateway connects to the internet, the green light (5) will stop blinking and will light solid.

2. Create an account

Download the free myQ App from App Store or Google Play Store and create an account. If you already have an account, use your username and password.

3. Register the internet gateway

Enter the Serial Number located on the bottom of the internet gateway when prompted.

4. Add MyQ devices

Use an internet enabled smartphone to add devices. Follow the instructions on the app.

Note: After you add a device, the blue light on the internet gateway will appear and stay on.

For smartphones/tablets free apps can be downloaded from iTunes Store or Google Play.

5. Test

After having installed and registered correctly you may now test the following features:

- open and close the garage door
- status request DOOR OPEN or DOOR CLOSED

27 Special Features (optional)

A. Door within a door connection

To connect a door in door switch (8.2k Ohm), the ADP-1EVO adapter is required. The instructions in the adapter manual must be followed.

B. Flashing light connection

Description of feature:

The Chamberlain flashing light can be installed anywhere. Connect light leads to quick connect terminals 6 and 7.

C. Partial opening feature

Description of feature:

The pedestrian, ventilation or pet opening position is an adjustable second stop position between the fully opened and fully closed position of the garage door.

Activate:

NOTE: Any time programming requires pushing two buttons simultaneously, make sure this is executed accurately. If other buttons than described will flash, briefly cut operator from current and start programming from the beginning.

1. Move the door into to the desired partial opening position using the remote control or wallcontrol.
2. Choose a non programmed button on your remote control.
3. Push square button and UP button simultaneously for 3 seconds and wait for the operator light to flash. Then push the remote control button. To program an additional remote control start again with step1.

Deactivate:

1. Move the door to the fully closed position.
2. Push square button and UP button simultaneously for 3 seconds and wait for the operator light to flash.

D. Auto-Close Feature:

Description of feature: The Chamberlain Safety IR Sensors must be installed (required by EN60335-2-95).

Activate:

Push square and DOWN button simultaneously until the operator light blinks. 1 push UP button = 10 seconds. up to 180 sec. possible (18x) During countdown the down button flashes. To complete programming push square button.

Deactivate:

Push square and DOWN button simultaneously until the operator light blinks. To complete programming push square button.

Notes:

- The auto-close timer resets if the IR sensors are interrupted.
- In the partial open position automatic close is not possible.
- The garage door operator must have reached the programmed UP limit to activate the auto-close timer.

Troubleshooting:

Question: Operator will not work anymore without IR sensor.

Solution: Correct. IR sensors are mandatory once connected.

A full logic board reset is required.

E. Change from fast speed to slow speed Description of feature:

The garage door opener chooses the necessary speed automatically.

Change speed:

1. Move the door to the fully closed position.
2. Push UP and DOWN buttons simultaneously until operator light blinks.

Attention: One piece doors, Canopy garage doors and any other type of swing-out doors must be operated with slow speed. For safety reasons, below 1.9m of travel length the speed is slow.

F. OPEN, STOP or CLOSE programming of the remote control.

Description of feature:

Each remote control button can be programmed to either OPEN, STOP or CLOSE the door.

OPEN:

Push yellow round button and UP button simultaneously until the LED goes on. Now push a selected button on the remote control for OPEN only and wait for the operator light to flash.

STOP:

Push yellow round button and square button simultaneously until the LED goes on. Now push another selected button on the remote control for STOP only and wait for the operator light to flash.

CLOSE:

Push yellow round button and DOWN button simultaneously until the LED goes on. now push a third button on the remote control for CLOSE only and wait for the operator light to flash.

- G. Holiday Mode (requires 78EV wall control):**
Portable remote controls do not function if this feature is activated.
- H. Program remote control via wall control**
(requires 78EV wall control).
- I. Operator light control (requires 78EV wall control):**
The operator light can be switched on and off at any time. Automatic lighting (only with light barrier and wall bracket) When the light barrier is interrupted, the lighting automatically switches on during the opening of the door. Activation: Press and hold the "LIGHT" button on the wall bracket for 10 seconds. Deactivation: see activation.
- J. Keyless entry (requires 780EV wireless keypad):**
Enter a 4 digit code of your choice to operate the door.
- K. Temporary access (requires 780EV wireless keypad):**
A temporary code can be programmed to allow limited access to the garage (by time or number of openings).
- L. One button close feature (requires 780EV wireless keypad):**
Without having the access code the door can be closed from any position (not opened).
- M. myQ (requires 828EV gateway):**
Allows operating your garage door opener via internet or a compatible mobile phone.
- N. Power supply for external devices (terminal 30V):**
30VDC/max. 50mA
Note: For external (universal) receivers, the under 1 watt standby mode must be turned off.
- O. myQ LED light:**
The myQ LED light (827EV) can be programmed with the garage door opener for additional lighting.
- P. Turning on/off the under 1 watt standby mode:**
The under 1W standby mode is always switched on at the factory. (After the lights go off and with the garage door closed.)
Switch off under 1 watt standby:
1. Disconnect device from the mains.
2. Press the UP and DOWN buttons on the back on the adjusting panel simultaneously and hold.
3. Connect the device again while the buttons are still pressed.
4. After about 5 seconds the opener's light flashes 10 times as confirmation.
Note: Every time the opener is disconnected from the mains, the opener's light flashes 10 times during reconnection to indicate that the under 1 watt standby mode is off.
Switch on under 1 watt standby: See activation

- Q. Cycle counter:**
This garage door opener features a cycle counter (open/close = 1 cycle).
1. Pull plug.
2. Simultaneously press and hold round and square button on the backside of the opener.
3. While holding the buttons insert plug.
4. After approx. 5 sec the LED indicates the number of cycles (for every 1000 cycles the LED flashes once). Release buttons.
- R. Safety edge (only with ADP-1EVO):**
Enables the garage door opener to be operated with a safety edge (8.2k Ohm). The taught-in operating force of the garage door opener is automatically increased. Attention: only valid with approved safety edges."
- S. ADP-1EVO External Adapter:**
Enables connection of 2 sets of photocells, door in door switch (8.2 K Ohm) as well as safety edge (8.2 K Ohm)."

28 Operation of the door opener

Automatic opening / closing of the door:

The door opener can be operated using the following devices:

- Remote control: Press the button until the door starts to move.
- Wall switch (if this accessory is installed): Press the pushbutton until the door starts to move.

Manual opening of the door (by hand):



If possible, the door must be closed completely. Weak or defective springs can cause a rapid shutting down of the open door, **which can lead to property damage or serious personal injury.**

RELEASE: Briefly pull the red handle down. Then open the door by hand. **Open close door without pulling the cable!**

RECONNECT: The lockout feature prevents the trolley from reconnecting automatically. Push the green button on the trolley. With the next door movement the system will reconnect.

Function sequence:

When operating the door opener by radio control or wall switch:

- closes the door when it is fully open
- opens the door when it is fully closed
- stops the door if it is opening or closing
- the door moves in the opposite direction to the last completed move, if it is partially open
- drives back the door to the open door position, if it hits an obstruction while closing
- stops the door, if it encounters an obstacle during opening
- Photocells (optional): By means of the photocells, a closing door is lifted up or an open door is obstructed while closing, if a person located in the door area interrupts the beam
- THE MULTI-FUNCTION DOOR CONTROL (optional)
Press the push bar (1) to open or close the door. Press again to stop the door. Light feature Press the Light button (2) to turn the opener light on or off. It will not control the opener light when the door is in motion. If you turn it on and then activate the opener, the light will remain on for 2-1/2 minutes. Press again to turn it off sooner.

The operator light switches on in the following cases:

1. First turning on of the door opener (short)
2. Power interruption (short)
3. With each turning on of the door opener.

The light turns off automatically after 2 1/2 minutes.

29 Attach warning labels (see fig. 28)

30 Cleaning and maintenance



Before any maintenance, cleaning and related maintenance work, the mains supply plug should be pulled out. Danger from electric shock!

Maintenance of the door opener

A proper installation ensures the optimum performance of the door opener with minimum maintenance. An additional lubrication is not required. Gross dirt accumulation in the guide rail may impair the function and must be removed.

31 Cleaning

Clean the drive head, wall switch and remote control with a soft, dry cloth. Do not use liquids.

32 Maintenance



Check the system often, especially cables, springs and fasteners, for signs of wear, damage or lack of balance. Do not use if repair or adjustment work must be performed, because an error in the system or an incorrectly balanced door may cause injury. Repairs to electrical equipment and gates may be carried out only by an authorized specialist / expert. In any case, please do not ever carry out repairs yourselves because this could result in serious injury or death.

Once a month:

- Check automatic safety reverse again and reset if necessary.
- Operate door manually. If the door is unbalanced or stuck, please contact the service centre.
- Check for complete opening and closing of the door. Where appropriate, readjust limit switches and / or power.

Twice a year:

- Check the belt tension. For this, first disconnect the carriage from the drive. If necessary, adjust belt tension.

Once a year (at the door):

- Refer to the maintenance instructions on the door and follow the door manufacturer's instructions. An additional lubrication of the door opener is not required.

Limit switch adjustment and force regulation:

These settings must be checked and undertaken properly during the installation of the opener. Due to weathering, minor changes can occur during operation of the opener that need to be addressed by a new setting. This can particularly happen in the first year of operation. Follow the instructions for setting travel limits and force (refer to section 23 and 33) carefully and re-check the automatic safety reverse after each resetting.

33 Replace batteries of the remote control

Battery of the remote control:

The batteries in the remote have an extremely long life. If the transmission range decreases, the batteries must be replaced. Batteries are not covered by the guarantee.

Please observe the following instructions for battery:

Batteries should not be treated as household waste. All consumers are required by law to dispose of batteries properly at the designated collection points. Never recharge batteries that are not meant to be recharged.

Danger of explosion!

Keep batteries away from children, do not short-circuit them or take them apart. See a doctor immediately, if a battery is swallowed. If necessary, clean contacts on battery and devices before loading. Remove exhausted batteries from the device immediately!

Increased risk of leakage!

Never expose batteries to excessive heat such as sunshine, fire or the like! There is increased risk of leakage!

Never expose batteries to excessive heat such as sunshine, fire or the like! There is increased risk of leakage!

Avoid contact with skin, eyes and mucous membranes. Rinse the parts affected by battery acid with plenty of cold water and consult a doctor immediately. Use only batteries of the same type.

Remove the batteries if the device is not being used for a long time.

Replacing battery:

To replace battery, turn remote control around and open the case with a screwdriver. Lift cover and lift control board below. Slide battery to one side and remove. Watch polarity of battery!

Assemble again from in reverse direction.

ATTENTION!

Danger of explosion if battery is replaced improperly.

Replacement only by identical or equivalent type (CR2032).

34 Operator light

The LED lighting has a very long life and is maintenance free.

The lens cover cannot be removed.

35 Disposal



Our electrical and electronic equipment may not be disposed of with household waste and must be disposed of after use properly in accordance with WEEE Directive EU: 2012/19/EU; GB UK(NI): SI 2012 nr. 19 on waste electrical and electronic equipment in order to ensure that materials are recycled. Collecting waste electrical equipment separately means environmentally-friendly disposal and is completely free of charge for the consumer. WEEE reg. no. in Germany: DE66256568.

Any waste packaging left over with the end consumer must be collected separately from mixed waste, in accordance with the Directive. Packaging may not be disposed of with household waste, organic waste or in nature. Packaging material must be separated according to its material and disposed of in the recycling containers provided and in certain council recycling bins.



Our batteries are marketed in compliance with the law. The 'crossed-out waste bin' indicates that batteries may not be disposed of with household waste. Batteries included in the product (technical data). In order to avoid causing harm to the environment or people's health, used batteries must be returned for regulated disposal at council recycling centres or via retail outlets, as is prescribed by law. Batteries may only be brought for disposal once fully discharged and, in the case of lithium batteries, with their terminals taped over. The batteries can be easily removed from our equipment for disposal.

Registration number in Germany: 21002670.

36 Frequently asked questions

1. Door opener doesn't work with remote control:

- Is the opener connected to the power supply? If a lamp connected to the power socket does not turn on, check fuse or circuit breaker. (Some sockets are enabled via a wall switch).
- Are all door locks disabled? See safety instructions!
- Check if remote control battery is lit.
- If you have two or more remote controls, of which only one works, check programming of the receiver.
- Is there snow / ice under the door? If yes, the door may be frozen onto the ground. Remove all obstacles.
- Perhaps the door spring is defective. This must be replaced by a specialist.

2. Transmission range of the device is too low:

- Is a battery inserted? Put in a new battery.
- Try radio control in the car at another location.
- The transmission range diminishes for metal doors, aluminium or metal panels.

3. Door reverses for no apparent reason:

- Is the door blocked by anything? Pull manual release and operate door by hand. In case of unbalanced or stuck gate, please contact the service department.
- Re-program operating force.
- Clear ice or snow in the closing area of the door.
- If the door reverses upon reaching the door position 'Closed', the limit switch must be set for this door position. **After completing every setting, the automatic safety reverse must be checked again:**
- An occasional resetting of the end positions is not unusual. In particular, the weathering can shift the doorway.

4. The garage door opens and closes by itself:

- Delete all remote controls and then re-programme them. See section 25.
- Is the remote control button jammed in position „ON“?
- Use only original remote controls! The use of third-party products leads to disturbances.
- The remote control button was pressed accidentally (pocket).
- Cable of the wall switch is damaged (remove for testing purposes).
- An accessory connected to the opener causes the drive (remove for testing purposes).

5. Door does not close completely:

- Re-programme stretch of way of the opener. Check for alterations in the mechanical components, e.g. door arms and fittings. **After each new setting of the door position 'Closed', the automatic safety reverse should be checked for function.**

6. The door opens, but does not close:

- If installed, the photocells should be checked. If the LED at the photocells blink, the alignment should be checked.
- Check remote control or wall switch for function.

7. Operator light doesn't turn on:

- Open or close door. The light remains switched on for 2.5 minutes.
- Disconnect opener from the mains and connect again. The light comes on for a few seconds.
- No power.

8. Operator light doesn't turn off:

- Disconnect the power from the mains supply for a short time and try again.
- The 2.5 minutes are not yet over.

9. Motor hums and runs very briefly, but does not function:

- Garage door springs are defective. Close the door and disconnect from the opener by pulling on the handle of the carriage (manual release). Open and close door manually. If the door is properly balanced, it is held at each point of the doorway by the door springs alone. If this is not the case, contact your service centre.
- If this problem appears during the first use, the door may be locked. Deactivate door lock.
- Release opener from the door and try without door. If the door is fine, reprogramme operating force and stretch of way.

10. Opener works only in one direction:

- Door springs may be defective or the door is stiff in one direction.
- If the door is fine, re-programme operating power and stretch of way of the opener.

11. The belt rattles on the rail:

- Adjust the belt tension. The cause is usually a very tight chain/belt. The spring on the clamping device of the rail must not be compressed completely.
- The door runs unevenly and makes the drive vibrate. Improve door run.

12. Opener will not start due to power failure:

- Disconnect from the opener by pulling on the handle on the carriage (manual release). The door can now be manually opened and closed. If the opener is re-activated, the carriage also gets re-connected.
- If installed, the carriage is detached from the drive in case of power failure by an external emergency release from outside the garage.

13. Door reverses after the force was programmed:

- See if the rail bends. The opener requires a lot of power to move the door. Repair or install door correctly.
- Door is very heavy or in poor condition. Call a specialist.

14. Rail bends on the opener:

- Door is heavy, very heavy, stiff or in poor condition. Call a specialist.
- A swing of the rail while moving is a sign of an unevenly functioning door with constantly changing power requirements. Call specialist, possibly lubricate door. An additional suspension on the rail can be a remedy.

15. The opener „runs“ (audible turning of motor) but the carriage does not move:

- The carriage is released from the opener.
- In a new installation: During the assembly of motor and rail, the pre-assembled adapter sleeve between the motor shaft and the rail was not installed. This sleeve is pre-assembled at factory, but can be removed. Standing behind the opener it can be observed whether the gearwheel turns in the rail or just the motor.
- In a new installation: The belt has come off from the gearwheel in the rail. Standing behind the opener, you can see the gearwheel.
- After years of use: Is the release defective or continuously disengaged?
- After years of use: The sleeve between rail and motor or the motor control gear is defective.

16. The door releases by itself from the carriage and stops:

- An external release that has been installed during a power failure should be checked whether it stretches and releases during the opening of the door. Watch the mechanism and reset if necessary.
- The handle of the release mechanism should not get caught in other items.

17. Setting the Force

- The force setting button is located behind the cover at the operators backside. The force setting regulates the amount of power required to open and close the door.
 1. Open cover on the backside of the opener. Locate the yellow round button.
 2. Push the yellow round button twice to enter unit into Force Adjustment Mode. The LED (indicator light) and the UP button will flash. Push UP button. The operator will travel to the UP position learning the required amount of force. Once the UP limit is reached the LED and the DOWN button a start to flash. Push DOWN button. The operator will travel to the DOWN position learning the required amount of force.

37 Diagnostic Chart

Your garage door opener is programmed with self-diagnostic capabilities.
The UP and DOWN arrows on the garage opener flash the diagnostic codes.

DIAGNOSTIC CODE		SYMPTOM	SOLUTION
Up Arrow Flash(es)	Down Arrow Flash(es)		
1	1	The garage door opener will not close and the light bulbs flash.	Safety sensors are not installed, connected or wires may be cut. Inspect sensor wires for a disconnected or cut wire.
1	2	The garage door opener will not close and the light bulbs flash.	There is a short or reversed wire for the safety sensors. Inspect safety sensor wire at all staple points and connection points and replace wire or correct as needed.
1	3	The door control will not function.	The wires for the door control are shorted or the door control is faulty. Inspect safety sensor wire at all staple points and connection points and replace wire or correct as needed.
1	4	The garage door opener will not close and the light.	Safety sensors are misaligned or were momentarily obstructed. Realign both sensors to ensure both LEDs are steady and not flickering. Make sure nothing is hanging or mounted on the door that would interrupt the sensors path while closing.
1	5	Door moves 6-8" stops or reverses.	Manually open and close the door. Check for binding or obstructions, such as a broken spring or door lock, correct as needed. Check wiring connections at travel module and at the logic board. Replace travel module if necessary.
1	5	No movement, only a single click	Manually open and close the door. Check for binding or obstructions, such as a broken spring or door lock, correct as needed. Replace logic board if necessary.
1	5	Opener hums for 1-2 seconds no movement.	Manually open and close the door. Check for binding or obstructions, such as a broken spring or door lock, correct as needed. Replace motor if necessary.
1	6	Door coast after it has come to a complete stop	Program travel to coasting position or have door balanced by a trained technician.
2	1-5	No movement or sound.	Replace logic board.
4	1-4	Door is moving stops and or reverses.	Manually open and close the door. Check for binding or obstructions, such as a broken spring or door lock, correct as needed. If the door is binding or sticking contact a trained door systems technician. If door is not binding or sticking attempt to reprogram travel (refer to page 24).
5	1	Terminal 1+2 for wall control is shortened longer than 4 seconds.	Check wiring for push button if button is stuck and activated permanently. Remove wiring from terminal 1+2 on operator as test. Do not run push button wires next to high voltage wiring or in same conduit.

38 Door dimensions und -weight

One piece doors	PL750EV-GB	Sectional doors	PL750EV-GB
max. width (mm)	5000	max. width (mm)	5000
max. height (mm)	2300	max. height (mm)	2300
max. weight (kg)	125	max. weight (kg)	125

39 Intended area of use

The drive must not be used in potentially explosive areas, in extremely salty air or in an aggressive atmosphere. The door must not be part of a fire protection system, an escape route or an emergency exit that automatically closes the gate in the event of a fire. Local building regulations must be observed. In the event of damage caused by other and non-intended use, the manufacturer's warranty expires due to use with defective parts, unauthorized changes to the drive, modifications to the drive and its components

40 Optional Accessories

Always use original accessories.

External products can cause malfunctions.

1.	TX4UNIF	4-channel universal remote control
2.	TX4EVS-02	4-channel remote control
3.	TX4UNI/S	4-channel universal remote control
4.	128EV	Wireless Wall Control 2-Channel
5.	780EV	Keypad
6.	828EV	MyQ Gateway
7.	EQL01EV	Quick release
8.	1702EV	Quick release
9.	75EV	Wired push button
10.	78EV	Wired multi-functional wall control
11.	FLA-1LED	Flashing light
12.	G770E	Photocells
13.	771EV	Photocells
14.	772EV	Photocells
15.	100041	Key switch (surface mount)
16.	ADP-1EVO	External Adapter

41 Service parts / Warranty

Your statutory rights are not affected by this manufacturer's warranty.

Please contact your dealer for terms of warranty.

42 Declaration of conformity

The manual consists of these operating instructions and the declaration of conformity. The radio equipment type (TX4EVF, 128EN) is in compliance with Directive 2014/53/EU and for UK with Radio Equipment Regulation SI 2017 No. 1209. The full text of the EU declaration of conformity is available at the following internet address: <https://doc.chamberlain.de/>

43 Storage & Disassembly

The drive must be stored as follows:

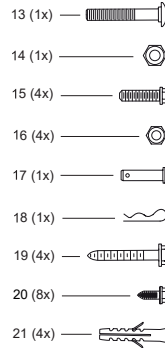
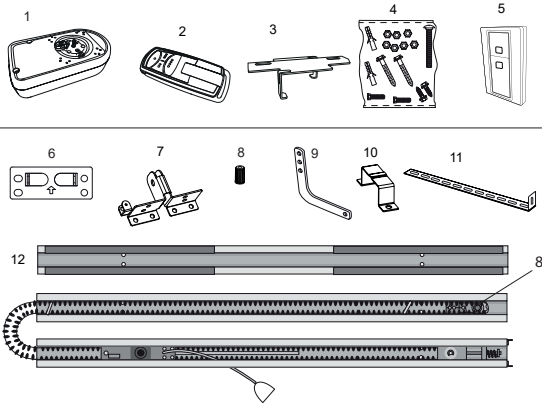
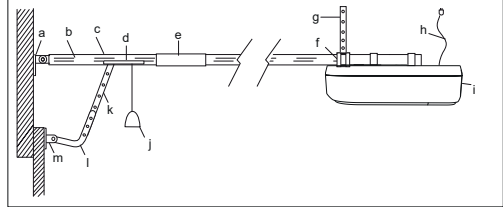
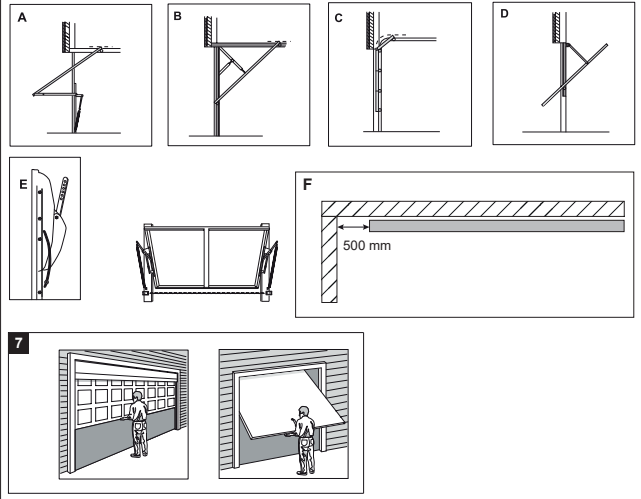
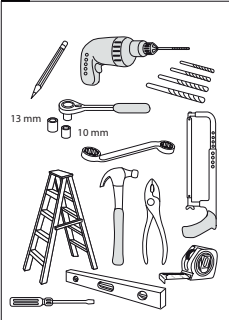
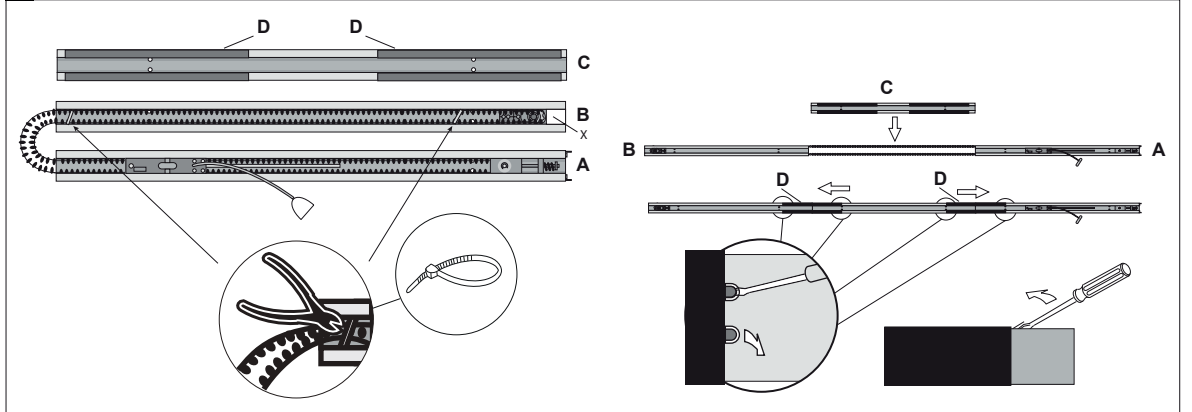
- in closed and dry and closed rooms, protected from moisture
- Storage temperature from -25 °C to +65 °C
- Secured against falling over and allow unhindered passage

When decommissioning or dismantling, the drive and its accessories must be disconnected from any power supply.

1. Pull the main plug out of the socket and then check that there is no voltage.
2. Disassembly is in reverse order to assembly.

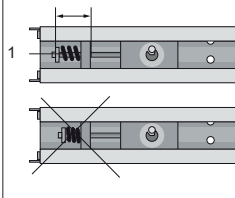
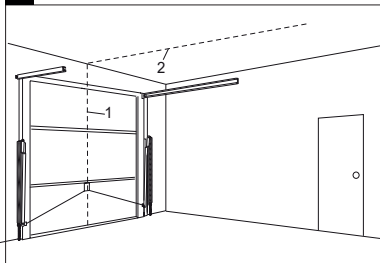
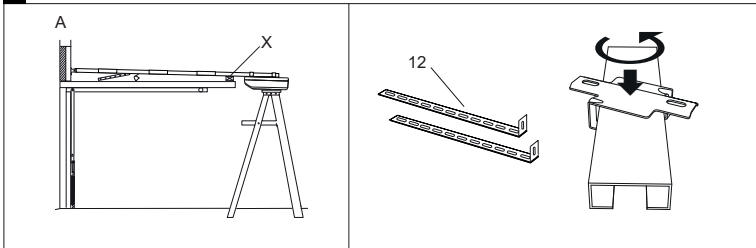
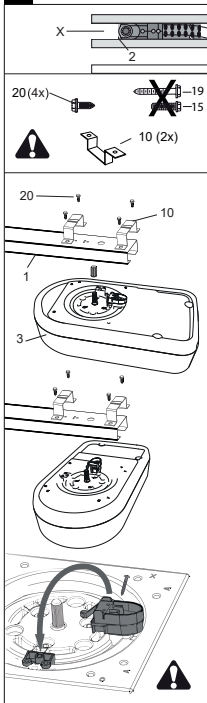
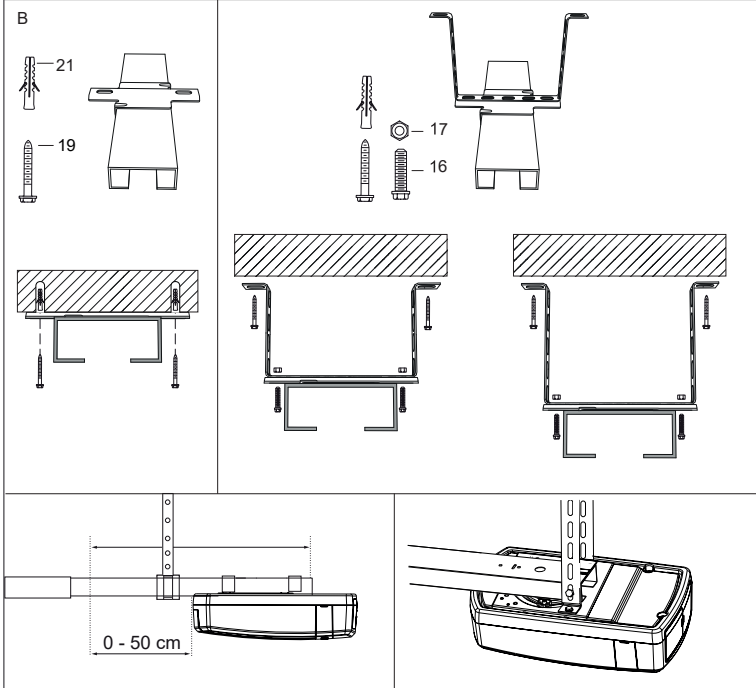
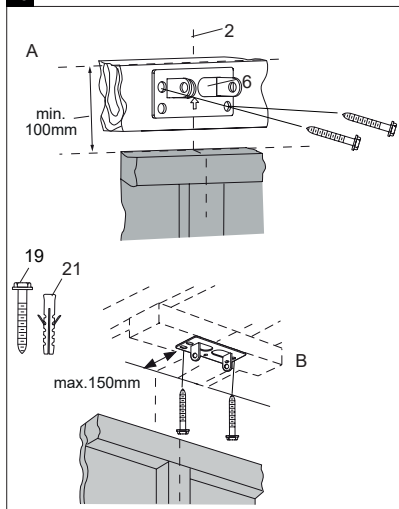
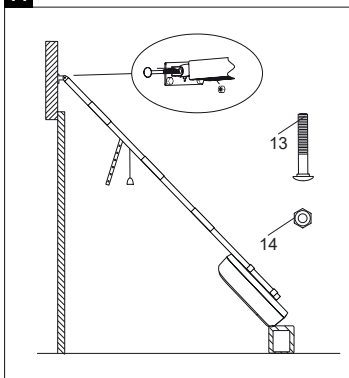
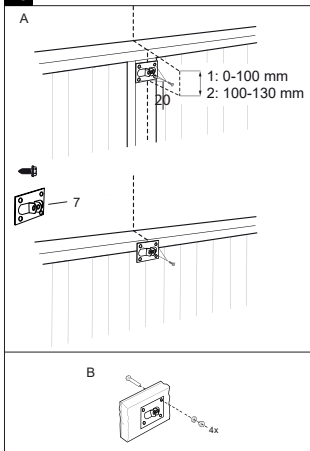
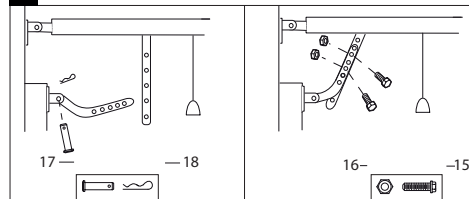
44 Specifications

Input Voltage	220-240 VAC, 50/60 Hz
Max. Pull Force	750 N
Standby Power (door fully closed)	0.8 W
Motor type	DC gearmotor permanent lubrication
Noise level	54dB
Drive Mechanism	Belt
Length of Travel	2498 mm (8023CR5)
Opening speed, up to	200 mm/s
Max. door weight	125 kg
Max. door dimensions, height / width	2.30 / 5.00 m
Lamp	On when door starts, off 2-1/2 minutes after stop.
Door Linkage	Adjustable door arm. Pull cord trolley release
Safety, Personal	Push button and automatic stop in down direction. Push button and automatic stop in up direction.
Electronic	Automatic force adjustment
Electrical	Transformer overload protector and low voltage push button wiring.
Limit Device	Mechanical RPM/Passpoint detector
Limit Adjustment	Electronic
Soft-Start / Soft-Stop	yes
Length (Overall)	3183 mm (8023CR5)
Headroom Required	min. 35 mm
Hanging Weight	~ 12 kg
Memory Registers	180
Operating Frequency:	RX: 433MHz (433.30MHz, 433.92MHz, 434.54MHz) 868MHz (868.30MHz, 868.95MHz, 869.85MHz) TX: 865,125 MHz, 865,829 MHz, 866,587 MHz
Sending Power:	<10 mW
Transmitter Model TX4EVF	
Transmitter Frequency	868MHz (868.30MHz, 868.95MHz, 869.85MHz)
Transmitter Sending Power	<10 mW
Transmitter Battery	3V CR2032

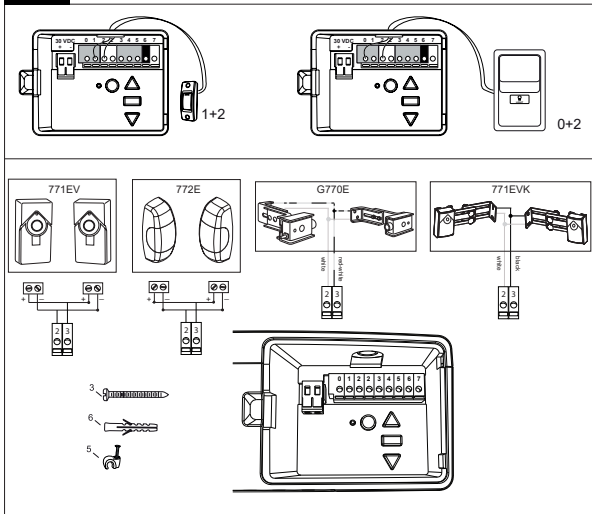
3**4****6****8****9**

10

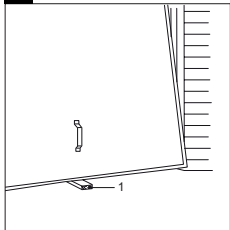
ca. 36 - 38 mm

**12****15****11****13****14****16****17**

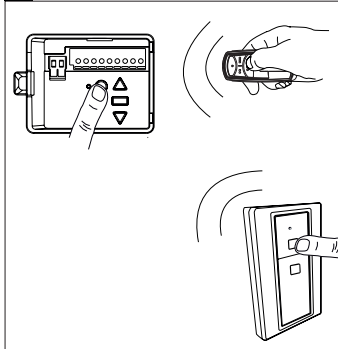
19 - 20



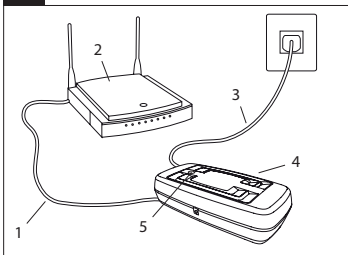
24



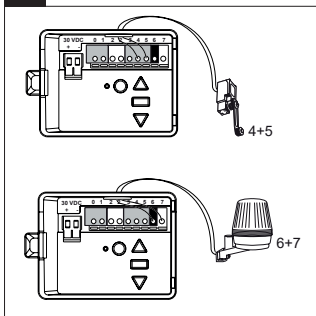
25



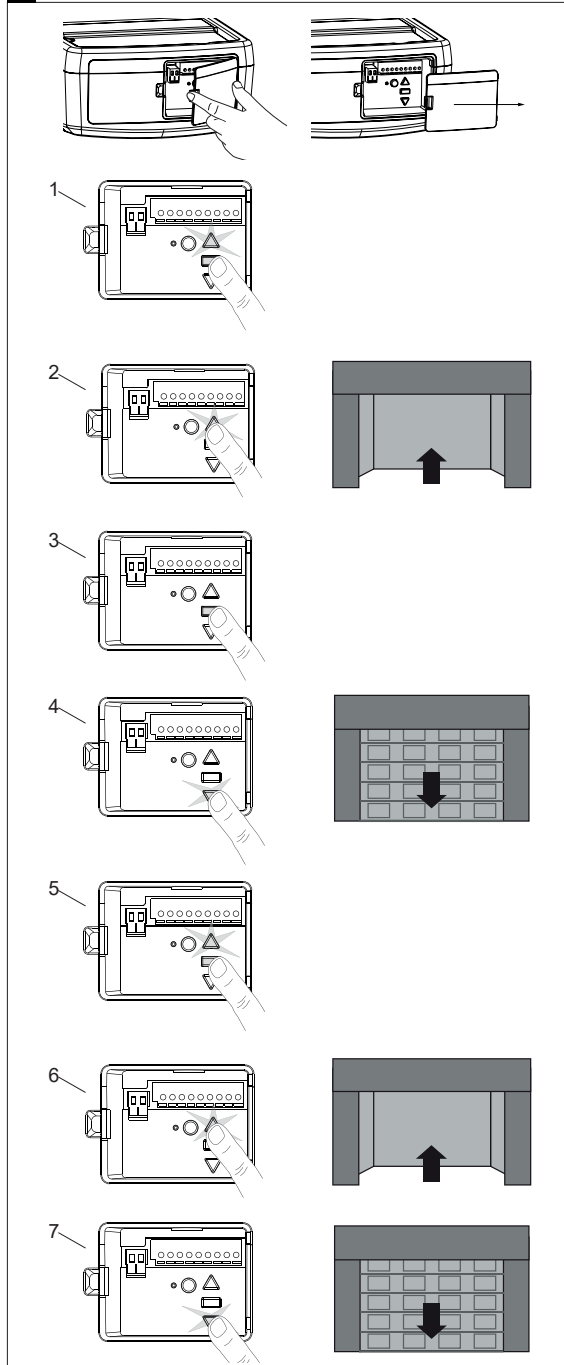
26



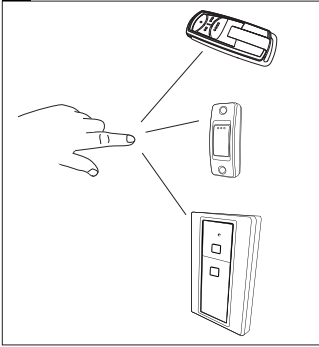
27



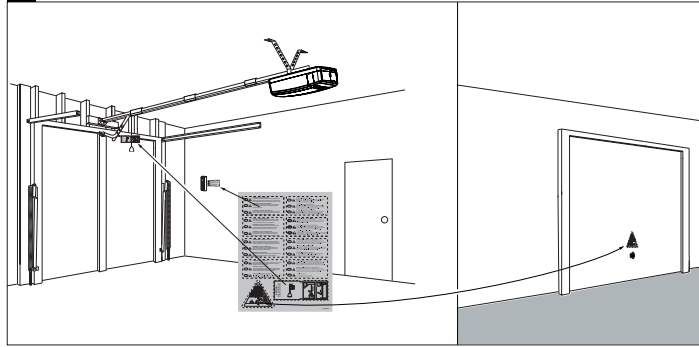
23



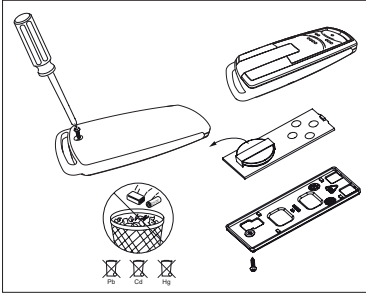
28



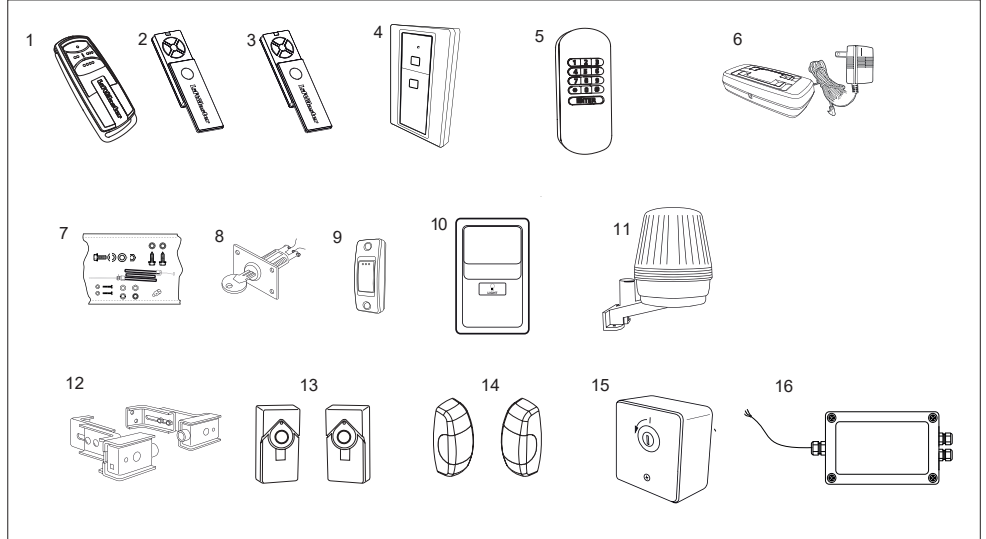
29

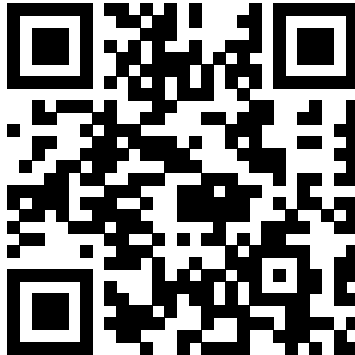


33



38





Chamberlain GmbH
Saar-Lor-Lux-Str. 19
66115 Saarbrücken
Germany
WEEE-Reg.Nr. DE66256568

