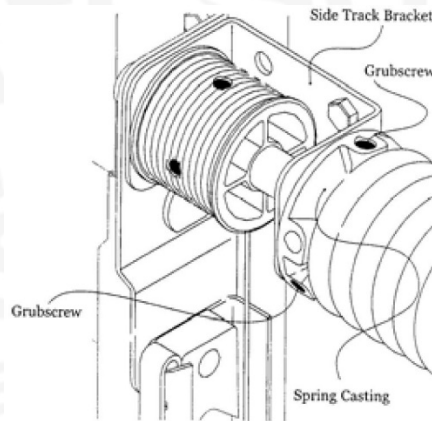
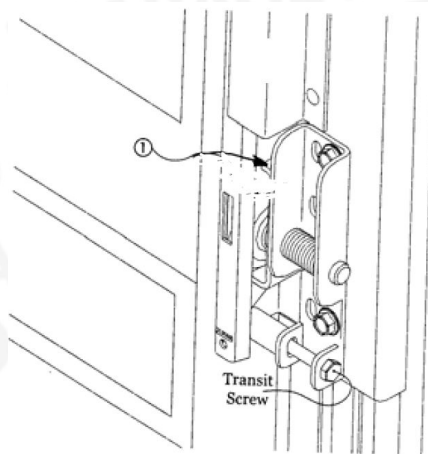


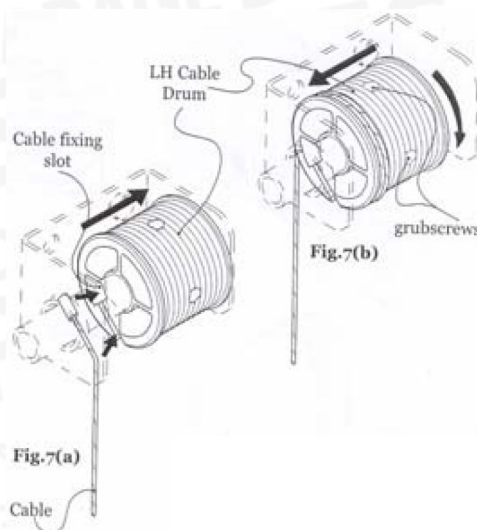
## Cable Fitting Instructions For Garador G3



1. Tighten the two grub-screws in the left hand side spring casting
2. Thread the end of the cable into the slot of the roller bracket assembly



3. Undo the two grub-screws in the cable drum towards the centre of the door. The cable can now be inserted into the fixing slot. Rotate the drum so that the cable winds onto the rear of the drum. Ensure the cable runs down the inside of the track. When the cable is taut, slide the drum to the outside and tighten both grub-screws. Repeat for opposite side if required



4. Undo the grub-screws that were tightened in step 1

All work is undertaken at your own risk.

SKU: GAS1036