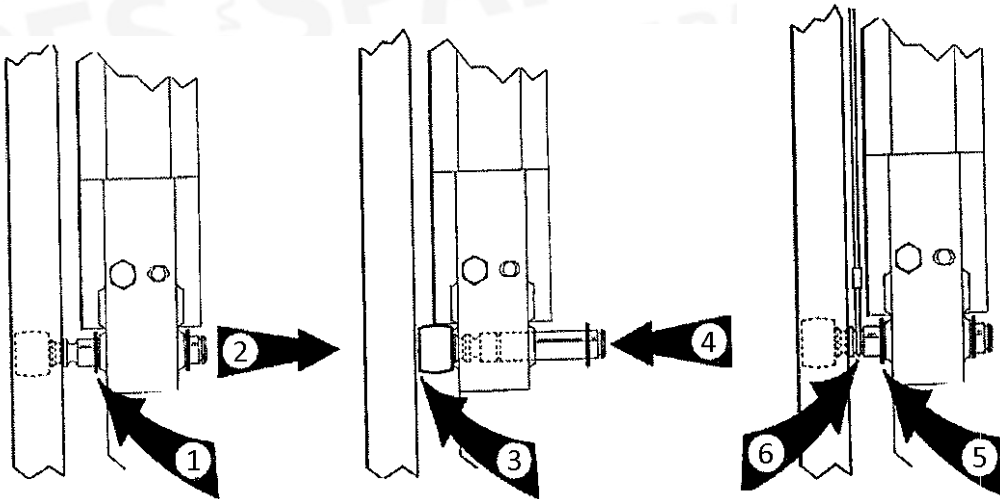
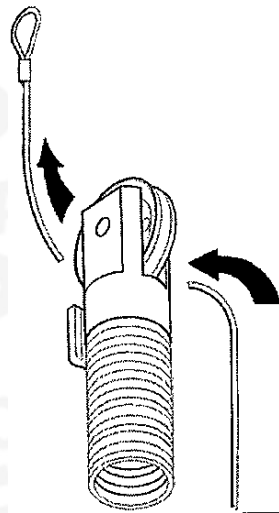


Cable Fitting Instructions For Garador Side Extension

1. Open the door approximately 6" and place a block under the door to keep open
2. Remove the e-clip (1) and slide the roller spindle towards the centre of the door (2)
3. Thread the large loop of the cable over the plastic roller (3)



4. Slide the roller back to its original position (4)
5. Re-fit the e-clip (5)
6. Ensure the cable is located into the grooved slot of the roller spindle (6)
7. Thread the opposite end of the cable through the spring assembly as shown below. Then locate the spring back into the plastic guide channel



8. Slide the spring up the guide channel until you can attach the smaller loop to the S hook at the top track
9. Fit the cable around the pulley wheel on the top corner bracket (refer to opposite side of the door for location of cable)
10. Prop the door in the open position and refit the spring

Warning: Use gloves to protect your hands at all times during the above procedures.

All work is undertaken at your own risk.

SKU: GAS1031