

# 418MHz Remote Controls

**Model 4180E – Single Function Remote**  
**Model 4183E – Three Function Remote**

**Model 4182E – Two Function Remote**  
**Model 4185E – Three Function Compact Remote**

For use with Chamberlain manufactured garage door openers, gate openers, tubular motor controls, and radio controls identified on the serial number label with a UK or 418 model suffix.



**Activate the opener only when door is in full view, free of obstruction and properly adjusted. No one should enter or leave garage while door is in motion. Do not allow children to operate push button(s) or remote(s). Do not allow children to play near door.**

### Set Receiver to Match Remote Control Code

- Figure 1.** Press and hold the selected remote control push button ❶.
- Press and release the green "Smart" button ❷ on the opener panel. The opener light will flash once. Release the remote push button.

Now the opener will operate when the remote push button is pressed.

**If you release the remote control push button before the opener light flashes, the opener has not accepted the code.**

### To Erase All Programmed Codes

- Press and hold the "Smart" button on the opener panel until the indicator light alongside ❹ turns off (about 6 seconds). **All the codes the opener has learned will be erased.**
- To reprogram the opener, repeat Steps 1 and 2 above.

**Match the Code: For Remotes With Code Switches ONLY**  
**In general, code switches are used when several persons are operating the same device. The code switches must be set to matching positions in all remotes used to operate the same receiver.**

- Remove case screw and separate the housing.
- Access code switches in original and new remote control.
- Place remotes side by side as shown in **Figure 2** and set switches ❺ in **all** remote controls to matching positions (+, -, 0). Use a pen or screwdriver to slide the code switches.
- Reassemble case. Press and hold the push button on one of the remote controls. Press and release the "Smart" button on the opener. The opener light will flash. Release the remote push button. Now the opener will operate with **all** remotes having matching code switch positions.

The lithium batteries in model 4185E should produce power for up to 5 years. To replace batteries, use the visor clip or screwdriver blade to pry open the case, as shown in **Figure 3**. ("Open" location is stamped on back.) Insert batteries **positive side down**. To replace cover, snap shut along both sides. The batteries in other models should produce power for at least a year.

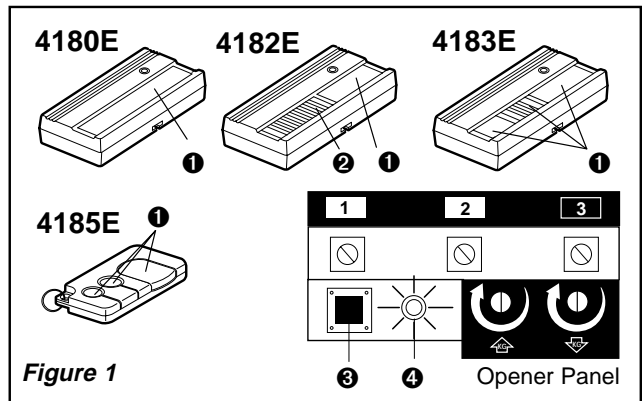


Figure 1

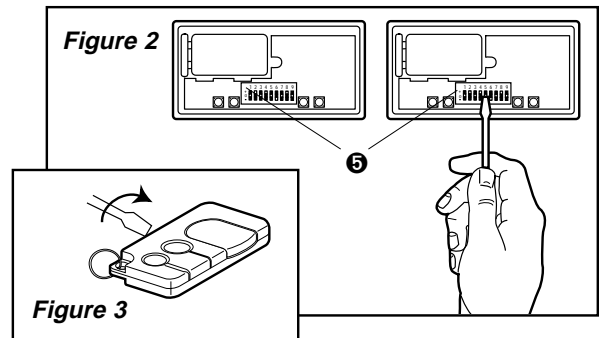
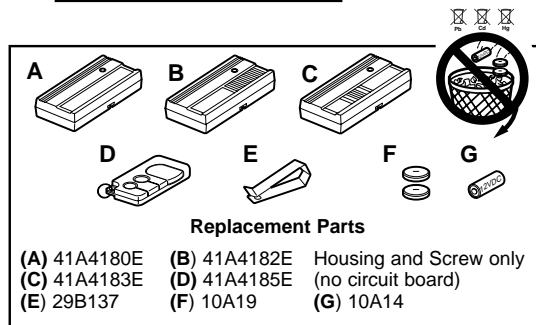


Figure 3



### Replacement Parts

- |              |              |  |
|--------------|--------------|--|
| (A) 41A4180E | (B) 41A4182E | Housing and Screw only<br>(no circuit board) |
| (C) 41A4183E | (D) 41A4185E |  |
| (E) 29B137   | (F) 10A19    | (G) 10A14                                    |

### Declaration of Conformity

Remote Control.....Model Nos. 4180, 4182, 4183, 4185 E are in conformity to the applicable sections of Standards.....ETS 300 683 per the provisions & all amendments of the EU Directives .....1999/5/EC

*I, the undersigned, hereby declare that the equipment specified above and any accessory listed in the manual conforms to the above Directives and Standards.*

Chamberlain GmbH  
D-66793 Saarwellingen  
March 1999

*Colin B. Willmott*  
Colin B. Willmott  
Chefingenieur

