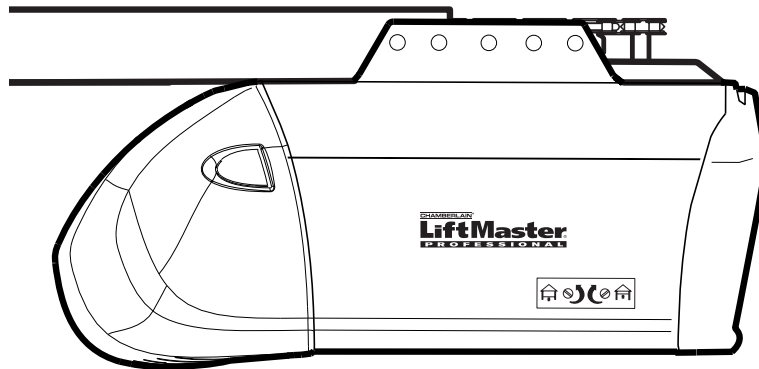


CHAMBERLAIN™

# LiftMaster™

PROFESSIONAL



## Instructions – Garage Door Operator Model 5580A-2GB



Int. Service(+49) 6838/907 172

[www.iftmaster.de](http://www.iftmaster.de)



AT/BA/BE/BG/CH/CY/CZ/DE/DK/ES/  
FR/GB/GR/HR/HU/IE/IS/IT/LU/MT/NL/  
NO/PL/PT/RO/RU/SE/SI/SK/TR/YU

**Start by reading These Important Safety Instructions**

Failure to comply with the following instructions may result in serious personal injury or property damage.

- Read these instructions carefully
- The garage door opener is designed and tested to offer reasonable safe service provided it is installed and operated in strict accordance with the instructions in this manual.



These safety alert symbols mean **Caution** – a personal safety or property damage instruction. Read these instructions carefully.

**WARNING:** If your garage has no service entrance door, Model 1702E Outside Quick Release must be installed. This accessory allows manual operation of the garage door from outside in case of power failure.



**Keep garage door balanced.** Sticking or binding doors must be repaired. Garage doors, door springs, cables, pulleys, brackets and their hardware are under extreme tension and can cause serious personal injury. **Do not attempt to loose, move or adjust them.** Call for garage door service.



**Do not wear rings, watches or loose clothing** while installing or servicing a garage door opener.



To avoid serious personal injury from entanglement, **remove all ropes connected to the garage door** before installing the door opener.



Installation and wiring must be in compliance with your local building and electrical codes. **Connect the power supply cord only to properly earthed mains.**



**Lightweight doors of fiberglass, aluminum or steel must be substantially reinforced to avoid door damage.** (See page 4.) The best solution is to check with your garage door manufacturer for an opener installation reinforcement kit.



**The safety reverse system test is very important.** Your garage door **MUST** reverse on contact with a 40mm obstacle placed on the floor. Failure to properly adjust the opener may result in serious personal injury from a closing garage door. **Repeat the test once a month and make any needed adjustments.**



**This unit should not be installed in a damp or wet space.**



**Door must not extend over public byway during operation.**



**The force, as measured on the closing edge of the door, should not exceed 400 N (40kg). If the closing force is more than 400 N, the Protector System must be installed. Do not use the force setting procedure to compensate for a binding or sticking garage door.** Excessive force will interfere with the proper operation of the Safety Reverse System or damage the garage door.



Permanently fasten the **caution label** adjacent to the lighted door control button as a reminder of safe operating procedures.



**Disengage all existing garage door locks** to avoid damage to garage door.



Install the lighted door control button (or any additional push buttons) **in a location where the garage door is visible, at a height of at least 1,5m and out of the reach of children. Do not allow children to operate push button(s) or remote control(s).** Serious personal injury from a closing garage door may result from misuse of the opener.



**Activate opener only when the door is in full view, free of obstructions and opener is properly adjusted. No one should enter or leave the garage while the door is in motion. Do not allow children to play near the door.**



Use manual release **only** to disengage the trolley and, if possible, **only** when the door is closed. **Do not use the red handle to pull the door open or closed.**



**Disconnect electric power to the garage door opener before making repairs or removing covers.**



**This product is provided with a power supply cord of special design which, if damaged, must be replaced by a power supply cord of the same type; such a power supply cord may be obtained from your local LiftMaster distributor and must be fitted by a specialist.**

**Contents**

	Page	Illustration
Safety Rules .....	1	
Before you Begin .....	1	
Door Types .....	2	1
Tools Required .....	2	2
Hardware Provided .....	2	3
Completed Installation .....	2	4
Assembly .....	2	5-11
Installation .....	3-4	12-21

Programming your Opener & Remote ..	5	22
Program your Keyless Entry .....	5	23
Adjustment .....	6	24-26
Install the Protector System™		
(Optional) .....	7	27
Special Features of the 5580-2GB .....	7	28
Accessories .....	7	29
Replacement Parts .....	7	30-31
Having a Problem? .....	8	
Care of your Opener .....	9	
Maintenance of your Operator .....	9	
Operation of your Opener .....	9	
Specifications .....	10	

**Before You Begin**

1. Look at the wall or ceiling above the garage door. The header bracket must be securely fastened to structural supports.
2. Do you have a finished ceiling in your garage? If so, a support bracket and additional fastening hardware (not supplied) may be required.
3. Depending on your door's construction, you might need a special door arm. See your dealer.
4. Do you have an access door in addition to the garage door? If not, Model 1702E Outside Quick Release Accessory is required.

## 1 Door Types

- A. One-Piece Door with Horizontal Track Only
- B. One-Piece Door with Horizontal and Vertical Track – Special door arm (**E, The Chamberlain Arm™**) required. See your dealer.
- C. Sectional Door with Curved Track – See **20B** – connect door arm. The Protector System (29 (9)) is required for doors that are 3m in height.
- D. Canopy door – Special door arm (**E, The Chamberlain Arm™**) and The Protector System (29 (9)) are required. See your dealer
- E. The Chamberlain Arm™

## 2 Tools Required

## 3 Hardware Provided

- |                       |                         |
|-----------------------|-------------------------|
| (1) Clevis Pin        | (10) Lock Washer        |
| (2) Wood Screws       | (11) Nuts               |
| (3) Screws            | (12) Ring Fastener      |
| (4) Clevis Pins       | (13) 8mm Anchors        |
| (5) Hex Screws        | (14) Sheet Metal Screws |
| (6) Rope              | (15) Carriage Bolts     |
| (7) Handle            | (16) Stop Bolt          |
| (8) Insulated Staples |                         |
| (9) Anchors           |                         |

## 4 Completed Installation

As you proceed with the assembly, installation and adjustment procedures in this manual, you may find it helpful to refer back to this illustration of a completed installation.

- |                          |                                      |
|--------------------------|--------------------------------------|
| (1) Header Sleeve        | (9) Light Lens                       |
| (2) Chain Pulley Bracket | (10) Manual Release<br>Rope & Handle |
| (3) Trolley              | (11) Curved Door Arm                 |
| (4) Rail                 | (12) Straight Door Arm               |
| (5) Chain                | (13) Door Bracket & Plate            |
| (6) Hanging Bracket      | (14) Header Bracket                  |
| (7) Power Cord           | (15) Trolley Release Arm             |
| (8) Opener               |                                      |

## ASSEMBLY SECTION

**IMPORTANT:** If you have a canopy or dual track one-piece door, you need to use the instructions packed with *The Chamberlain Arm™ Accessory* in conjunction with this *Owner's Manual* when assembling the rail.

## 5 Assemble the Rail

**NOTE:** If your opener came with a one piece rail, proceed to step 8.

Grease inside edges of rail sections using grease (1). Place rail pieces (2) on flat surface for assembly. All four rail sections are interchangeable. Slide rail braces (3) onto rail section. Connect rail by sliding rail brace onto next rail section. Tap rail assembly (4) on piece of wood (5) until rail sections are flush. Repeat with remaining rail sections.

## 6 Install the Chain

Remove chain from carton and lay chain out on floor (do not allow chain to twist). Push pins of master link bar (3) through chain link (4) and hole in trolley (5) (see picture). Push cap (2) over pins and onto notches. Slide clip-on spring (1) over cap and onto pin notches until both pins are securely locked in place.

## 7 Insert Chain into Rail & Assemble Header Sleeve

Slide pulley bracket (1) and inner trolley (2) into back (opener end) of rail assembly (3), be sure to insert pulley bracket as shown with arrow (4) pointing toward front (header end) of rail (5). Push bracket toward front (header end) of rail (5). Insert carriage bolt (6) through header sleeve bracket (7). Loosely thread spring nut (8) onto carriage bolt. Insert carriage bolt (6) of header sleeve assembly (7) into bold cut out in pulley bracket (1). Slide header sleeve assembly (7) on to front (header end) of rail (4).

## 8 Attach Trolley to Rail

Slide outer trolley (1) into rail assembly (2), be sure arrow on trolley (3) is heading in direction of door is heading in direction of door (4). Slide outer trolley down rail until it engages with inner trolley.

## 9 Attach Chain Spreader

Attach chain spreader (1) to opener (2) with phillips pan head screws (3).

## 10 Fasten Rail to Opener & Install Chain

Remove four washered bolts (1) from top of opener. Place rail (2) on opener, flush with stops (3) on top of opener. Wrap chain (4) around slot in spreader (5) and over sprocket (6). Push idler pulley bracket assembly toward front of the rail to eliminate excess slack in chain. Align bolt holes on brackets (7) with bolt holes on opener. Secure brackets to opener with previously removed bolts. Tighten bolts securely. **The opener sprocket teeth must engage the chain.** Insert bolt (8) into trolley stop bolt hole (9) secure with lock washer (10) and nut (11).

**CAUTION:** Use only those bolts mounted in the top of opener. Use of any other bolts will cause serious damage to opener.

## 11 Assemble Header Sleeve

Thread spring nut on carriage bolt unit finger tight. Insert a screwdriver tip (1) into one of the slots of the nut ring (2) and brace it firmly against the header sleeve. Place an open end wrench (3) on the square end of the spring nut (4), slightly rotate nut about 1/4 turn clockwise until nut ring (2) is released against header sleeve (5). This sets spring to optimum chain tension. chain may slip off sprocket if chain is too loose. If chain does slip re-tighten spring nut by turing nut clockwise 1/2 turn. **Do NOT overtighten chain.**

## INSTALLATION SECTION

**Wear protective goggles when working overhead to protect your eyes from injury.**

**Disengage all existing garage door locks to avoid damage to the garage door.**

**To avoid serious personal injury from entanglement, remove all ropes connected to the garage door before installing the opener.**

It is recommended that the opener be installed 2,1m (7 feet) or more above the floor where space permits.

### 12 Position the Header Bracket

**The header bracket must be rigidly fastened to a structural support of the garage. Reinforce the wall or ceiling with a 40mm (1-1/2") board if necessary. Failure to comply may result in improper operation of safety reverse system.**

You can attach the header bracket either to the header wall (1) or to the ceiling (3). Follow the instructions which will work best for your particular requirements.

With the door closed, mark the vertical centerline (2) of the garage door. Extend line onto header wall above the door.

Open door to highest point of travel. Draw an intersecting horizontal line (4) on header wall 5cm (2") above high point to provide travel clearance for top edge of door.

### 13 Install the Header Bracket

**NOTE: Refer to vertical center and horizontal lines created in step 12 for proper placement or header bracket.**

- A. **Wall Mount:** Center the bracket (1) on the vertical guideline (2) with the bottom edge of the bracket on the horizontal line (4) (with the arrow pointing toward the ceiling). Mark all of the bracket holes (5). Drill 4,5mm (3/16") pilot holes and fasten the bracket with wood screws (3). For concrete mount, use concrete anchors provided.
- B. **Ceiling Mount:** Extend vertical guideline (2) onto the ceiling. Center the bracket (1) on the vertical mark no more than 150mm (6") from the wall. Make sure the arrow is pointing toward the wall. Mark all of the bracket holes (5). Drill 4,5mm (3/16") pilot holes and fasten the bracket with wood screws (3). For concrete ceiling mount, use concrete anchors (6) provided.

### 14 Attach Rail to Header Bracket

Position opener on garage floor below the header bracket. Use packing material to protect the cover. Raise rail until holes in the header sleeve and holes in the header bracket align. Join with clevis pin (1). Insert ring fastener (2) to secure.

**NOTE: To enable the rail to clear sectional door springs, it may be necessary to lift opener onto a temporary support. The opener must either be secured to a support or held firmly in place by another person.**

### 15 Position the Opener

**NOTE: A 25mm (1") board (1) is convenient for setting an ideal door-to-rail distance (unless headroom is not sufficient).**

Raise the opener onto a stepladder. Open garage door. Place a 25mm (1") board (1) laid flat on the top section of door near the centerline as shown. Rest the rail on the board.

If the raised door hits the trolley, pull down on the trolley release arm to disconnect the inner and outer trolley sections. The trolley can remain disconnected until connecting door arm to trolley is completed.

### 16 Hang the Opener

**The opener must be securely fastened to a structural support of the garage.**

Three representative installations are shown. Yours may be different. Hanging brackets (1) should be angled (Figure A) to provide rigid support. On finished ceilings, (Figure B) attach a sturdy metal bracket (not supplied) (4) to a structural support before installing the opener. For concrete ceiling mount, (Figure C), use concrete anchors (5) provided.

On **each** side of opener measure the distance from the opener to the structural support (or ceiling).

Cut both pieces of the hanging bracket to required lengths. Flatten one end of each bracket and bend or twist to fit the fastening angles. **Do not bend at the bracket holes.** Drill 4,5mm (3/16") pilot holes in the structural supports (or ceiling). Attach flattened ends of brackets to supports with wood screws (2).

Lift opener and fasten to hanging brackets with screw, lock washer and nut (3). Check to make sure rail is centered over the door. Remove 25mm (1") board. Operate door manually. If door hits the rail, raise header bracket. Use rail grease and lubricate bottom surface of rail (6).

### 17 Attach Emergency Release Rope & Handle

Thread one end of rope (1) through hole in top of red handle so "NOTICE" reads right side up as shown (3). Secure with an overhand knot (2). Knot should be at least 25mm (1") from end of the rope to prevent slipping.

Thread other end of rope through hole in release arm of the outer trolley (4). Adjust rope length so that handle is 1,8m (6 feet) above the floor. Secure with an overhand knot.

**NOTE: If it is necessary to cut rope, heat seal cut end with a match or lighter to prevent fraying.**

## 18 Install Light

Press the release tabs on both sides of lens (2). Gently rotate lens back and downward until the lens hinge is in the fully open position. Do not remove the lens. Install a 40 watt (socket size E27), maximum light bulb (1) in the socket (3) as shown. The light will turn on and remain lit for 2-1/2 minutes when power is connected. After 2-1/2 minutes it will turn off. Reverse the procedure to close the lens.

**Replace burned out bulbs with rough service light bulbs.**

### Connect Electric Power

**TO AVOID INSTALLATION DIFFICULTIES, DO NOT RUN THE GARAGE DOOR OPENER UNTIL INSTRUCTED TO DO SO.**

**Connect the opener to a mains which is properly EARTHED according to the wiring instruction tag attached to power supply cord (and as specified by local code).**

## 19 Install Lighted Door Control Button

**Locate push buttons where the garage door is visible (at a height of at least of 1,5m), away from door and door hardware and out of the reach of children.**

**Serious personal injury from a moving garage door may result from misuse of opener. Do not allow children to operate the lighted door control button or remote control transmitter.**

**Permanently fasten the caution label on the wall near the lighted door control button as a reminder of safe operating procedures.**

There are 2 screw terminals (1) on the back of the lighted door control button (2). Strip about 6mm (1/4") of insulation from bell wire (4). Separate wires enough to connect the white/red wire to terminal screw 1 and the white wire to terminal screw 2.

Fasten the lighted door control button to an inside garage wall with sheet metal screws (3) provided. Drill 4mm (5/32") holes and use anchors (6) if installing into drywall. A convenient place is beside the service door and out of reach of children.

Run the bell wire up the wall and across the ceiling to the garage door opener. Use insulated staples (5) to secure wire. The receiver quick connect terminals are located on the back panel of the opener. Connect the bell wire to the terminals as follows: white/red to red (7) and white to white (8).

### Operation of the Lighted Door Control Button

Press to open or close the door. Press again to reverse the door during the closing or opening cycle.

## 20 Fasten Door Bracket

*If yours is a canopy or dual-track one-piece style garage door, a door arm conversion kit is required. Follow the installation instructions included with the replacement door arm. Exercise care in removing and assembling arm conversion kit. Keep fingers away from the sliding parts.*

**NOTE:** Horizontal and vertical reinforcement is needed for lightweight garage doors.

### Sectional and One-Piece Door Installation Procedure:

Door bracket (1) has left and right side fastening holes. Assemble and install the bracket and plate (2) if your installation requires top and bottom fastening holes.

- Center bracket (with or without plate, as required) at the top of inside face of door as shown. Mark holes.
  - Standard Sectional or One-piece doors:** locate bracket at inside face of the door.
  - Sectional doors with two horizontal roller channels:** 150 - 250mm below the top of the door.
- A. Wooden doors**  
Drill 8mm holes (5/16") and fasten the door bracket with nut, lock washer, and carriage bolt (3) or use wood screws.
  - Sheet metal doors**  
Fasten with sheet metal screws (4).
  - One-piece door optional**  
Fasten with sheet metal screws (4).

## 21 Assemble Door Arm and Set Limits

**NOTE:** For one-piece doors, do not connect door arm to trolley before adjusting limits. Failure to follow instructions may result in damage to door. See below.

### A. ONE-PIECE DOOR INSTALLATION:

Connect straight door arm (1) and curved door arm sections (2) to obtain the longest possible length with hardware (3, 4 & 5). With door closed, connect straight door arm section to door bracket with a clevis pin (6). Secure with a ring fastener (7).

**Before connecting door arm to trolley, adjust travel limits. Limit adjustment screws are located on left side panel.**

**Open Door Adjustment:** Decrease up limit. Turn up limit adjustment screw counterclockwise 4-1/2 turns.

Press door control button. Trolley will travel to full open position (8). Manually raise door to open position (parallel to floor) and lift door arm (9) to trolley. The arm should touch trolley just in back of door arm connector hole (10) as shown in solid line drawing. Increase up limit if necessary. One full turn equals 7,5cm (3") of door travel.

**Closed Door Adjustment:** Decrease down limit. Turn down limit adjustment screw clockwise 4 complete turns.

Press door control button. Trolley will travel to full closed position (11). Manually close door and lift door arm (12) to trolley. The arm should touch trolley just ahead of door arm connector hole (10) as shown in dotted line drawing. Decrease down limit if necessary. One full turn equals 7,5cm (3") of door travel.

**Connect Door Arm to Trolley:** With door closed, connect curved arm to trolley with remaining clevis pin. Secure with ring fastener. **NOTE:** Lift door slightly to make connection if necessary.

Run opener through a complete travel cycle. If door has a slight "backward" slant in full open position, decrease up limits until door is parallel to floor.

### B. SECTIONAL DOOR INSTALLATION:

Connect according to Figure B, then proceed to Step 24.

## 22 Program your Opener & Remote

Activate the opener only when door is in full view, free of obstruction and properly adjusted. No one should enter or leave garage while door is in motion. Do not allow children to operate push button(s) or remote(s). Do not allow children to play near the door.

Your garage door opener receiver and remote control transmitter are set to a matching code. If you purchase additional remote controls, the garage door opener must be programmed to accept the new remote code.

### Program the Receiver to Match Additional Remote Control Codes:

#### Using the "LEARN" Button

1. Press and release the "learn" button on the motor unit. The learn indicator light will glow steadily for 30 seconds (1).
2. Within 30 seconds, press and hold the button on the hand-held remote that you wish to operate your garage door (2).
3. Release the button when the motor unit light blinks. It has learned the code. If light bulb is not installed, two clicks will be heard (3).

#### Using the Multi-Function Door Control (optional):

1. Press and hold the button on the hand-held remote that you wish to operate your garage door (4).
  2. While holding the remote button, press and hold the LIGHT button on the Multi-Function Door Control (5).
  3. Continue holding both buttons while you press the push bar on the Multi-Function Door Control (all three buttons are held) (6).
  4. Release buttons when the motor unit light blinks. It has learned the code. If light bulb is not installed, two clicks will be heard (7).
- Now the opener will operate when the remote control push button is pressed. If you release the remote control push button before the opener lights flash, the opener has not learned the code.

### To Erase all Remote Control Codes

To deactivate any unwanted remote, first erase all codes:

Press and hold the "learn" button on motor unit until the learn indicator light goes out (approximately 6 seconds). All previous codes are now erased. Reprogram each remote or keyless entry you wish to use.

### 3-Channel Remote:

If provided with your garage door opener, the large button is factory programmed to operate it. Additional buttons on any rolling code 3-channel remote or mini-remote can be programmed to operate other rolling code garage door openers or gates.

## 23 Program your Keyless Entry (optional)

Activate the opener only when door is in full view, free of obstruction and properly adjusted. No one should enter or leave garage while door is in motion. Do not allow children to operate push button(s) or remote(s). Do not allow children to play near the door.

**NOTE:** Your new Keyless Entry must be programmed to operate your garage door opener.

### Program the Receiver to Match Additional Remote Control Code Using the orange "LEARN" Button:

1. Press and release the orange "learn" button (1) on opener. The learn indicator light will glow steadily for 30 seconds.
2. Within 30 seconds, enter a four digit personal identification number (PIN) of your choice on the keypad (2), then press and hold the ENTER button.
3. Release the button when the opener light blinks (3). It has learned the code. If light bulb is not installed, two clicks will be heard.

**NOTE:** This method requires two people if the Keyless Entry is already mounted outside the garage.

### Using the Multi-Function Door Control (optional):

1. Enter a four digit personal identification number (PIN) of your choice on the keypad, then press and hold ENTER (4).
2. While holding the ENTER button, press and hold the LIGHT button on the Multi-Function Door Control (5).
3. Continue holding the ENTER and LIGHT buttons while you press the push bar on the Multi-Function Door Control (all three buttons are held) (6).
4. Release buttons when the opener light blinks. It has learned the code. If light bulb is not installed, two clicks will be heard (7).

## 24 Limit Adjustment

Run the opener through a complete travel cycle. Limit adjustments are not necessary when the door opens and closes completely and doesn't reverse unintentionally in the fully closed position.

Locate the orange button (1) on the back panel of motor unit. Push the orange button twice to enter into Force Setting Mode.

**NOTE:** Repeated operation of the opener during adjustment procedures may cause motor to overheat and shut off. Allow a 15 minute cooling period after 5 continuous operations of the opener.

Read the following carefully before proceeding to Force Adjustment. Use a screwdriver to make limit adjustments.

**If Door Doesn't Open Completely but Opens at Least 1,5m (5 feet):** Increase up travel. Turn the up limit adjustment screw (3) clockwise. One turn equals 5cm (2") of travel.

**If door does not open at least 1,5m (5 feet). Adjust force, see Force Adjustment:** Place the opener into the Force Adjustment Mode, see Force Adjustment.

**If Door Doesn't Close Completely:** If door arm is at maximum length, increase down travel. Turn down limit adjustment screw (2) counterclockwise. One turn equals 5cm (2") of travel. If the door still will not close completely, the header bracket is positioned too high.

**If Opener Reverses in Fully Closed Position:** Decrease down travel. Turn down limit adjustment screw (2) clockwise. One turn equals 5cm (2") of travel.

**If Door Reverses when Closing and there is no Interference to Travel Cycle: Test door for binding.** Pull manual release handle. Manually open and close door. If door is binding, call a door serviceman. If door is not binding or unbalanced, place the opener into the Force Setting Mode, see Force Settings.

**PROCEED TO STEP 25 "FORCE SETTINGS" TO COMPLETE STEP 24 "LIMIT ADJUSTMENT". Forces must be learned in order for limit adjustments to operate properly.**

## 25 Force Settings

The force, as measured on the closing edge of the door, should not exceed 400N (40kg). If the closing force is measured to more than 400N, the Protector System must be installed See step 27.

The force setting button is located on the back panel of the motor unit. The force setting regulates the amount of power required to open and close the door. If the forces are set too light, door travel may be interrupted by nuisance reversals in the down direction and stops in the up direction.

Locate the orange button (1) on the back panel of motor unit. Push the orange button twice to enter into Force Setting Mode. The LED (Indicator Light) will flash. Push the wall control or the programmed remote control that was shipped with your opener. The door will travel to either the OPEN or CLOSE position. Push the button again, the door will travel to the opposite position. Push the button again if the LED is still blinking.

The door must travel through a complete cycle UP and DOWN in order for the force to be set properly. If the unit stops before it reaches the Open or Close Limit repeat the process. The LED (indicator light) will stop flashing when the force has been learned.

*To restore factory force settings, first enter force learn mode by pressing the orange button twice. With the door open, press and hold the wall control until door is fully closed.*

## 26 Test the Safety Reverse System

**The safety reverse system test is important. Garage door must reverse on contact with a 40mm obstacle laid flat on the floor. Failure to properly adjust opener may result in serious personal injury from a closing garage door. Repeat test once a month and adjust as needed.**

**Procedure:** Place a 40mm obstacle (1) laid flat on the floor under the garage door. Operate the door in the **down** direction. The door must reverse on the obstruction. If the door **stops** on the obstruction, it is not traveling far enough in the **down** direction. Increase the down limit by turning **down** limit adjustment screw counterclockwise 1/4 turn. **Repeat test.**

When the door reverses on the 40mm obstacle, remove the obstruction and run the opener through a complete travel cycle. Door **must not** reverse in closed position. If it does, adjust Limits and Force and repeat safety reverse test.

*Place 20kg at the center of the door and ensure that the door will not move up more than 500mm.*

## 27 Install the Protector System™

(See accessories)

**The force, as measured on the closing edge of the door, should not exceed 400 N (40kg). If the closing force is adjusted to more than 400 N, the Protector System must be installed.**

After opener has been installed and adjusted, **The Protector System™** accessory can be installed. Instructions are included with this accessory.

**The Protector System™ provides an additional measure of safety against a small child being caught under a garage door.**

It uses an invisible beam which, when broken by an obstruction, causes a closing door to open and prevents an open door from closing and is *strongly recommended for homeowners with young children.*

## 28 Special Features

### A. Door within a door connection

#### Disconnect opener from power!

Remove cover. Locate auxiliary terminal block (TB1) on the control board. Remove jumper from terminal leads 1 and 2 (not shown). Replace with contact switch leads as shown.

### B. Flashing light connection

The flashing light can be installed anywhere. Connect light leads to terminals 3 and 4 on the terminal block.

### C. Coaxial antenna adapter

A coaxial antenna connection can be used if the transmitter range is too short. Cut off the existing antenna. Use standard coax cable and connector. Strip off end of insulation to "X" dimension.

433 MHz: X = 250mm. Reposition antenna.

## 29 Accessories

(1) Model 94330E	Single-Function Remote Control
(2) Model 94333E	3-Function Remote Control
(3) Model 94335E	3-Function Mini Remote Control
(4) Model 94334E	4-Function Mini Remote Control
(5) Model 975EML	Laser Garage Parking Assist
(6) Model 128LM	2-Function Wireless Wall Control
(7) Model 9747E	Keyless Entry System
(8) Model 78LM	Multi-Function Door Control Panel
(9) Model 760E	Outside Keylock
(10) Model 1702E	Outside Quick Release
(11) Model 770E	The Protector System™
(12) Model 1703E	The Chamberlain Arm™
(13) Model FLA230	Flashing Light Kit
(14) Model 16200LM	Pedestrian Door Switch
(15) Model MDL100LM	Mechanical Door Latch Kit
(16) Model EQL01	Door Handle Quick Release - 2.5m
Model EQL02	Door Handle Quick Release - 4.0m
(17) Model 100027	1-Position Key Switch (Flush Mount - 100010)
Model 100041	2-Position Key Switch (Flush Mount - 100034)

### WIRING INSTRUCTIONS FOR ACCESSORIES

**Keyless Entry System** – To opener terminals: Red-1 and White-2

**Outside Keylock** – To opener terminals: Red-1 and White-2

**Protector System™** – To opener terminals: White-2 and Black-3

**Door Control Panel** – To opener terminals: Red-1 and White-2

## 30 31 Replacement Parts



## HAVING A PROBLEM?

### 1. Opener doesn't operate from either door control or remote:

- Does the opener have electric power? Plug lamp into outlet. If it doesn't light, check the fuse box or the circuit breaker. (Some outlets are controlled by a wall switch.)
- Have you disengaged all door locks? Review installation instruction warnings on page 1.
- Is there a build-up of ice or snow under door? The door may be frozen to ground. Remove any obstruction.
- The garage door spring may be broken. Have it replaced.
- Repeated operation may have tripped the overload protector in the motor. Wait 15 minutes. Try again.

### 2. Opener operates from remote but not from door control:

- Is door control button lit? If not, remove the bell wire from the opener terminals. Short the red and white terminals by touching both terminals at the same time with a piece of wire. If the opener runs, check for a faulty wire connection at the door control, a short under the staples, or a broken wire.
- Are wiring connections correct? Review page 4.

### 3. Door operates from door control but not from remote:

- Check battery. Replace battery if necessary.
- Is the light at the wall control flashing? Press button with key-symbol to unlock the opener against remote controls.
- Is the receiver LED flashing at the back-side of the opener when the transmitter is pressed? The opener receiver must re-learn the remote control code. Follow the instructions on page 5.
- If you purchased a new remote control then check at carton of remote control for compatibility or call the Service Hotline.

### 4. Remote has short range:

- Is battery installed? If needed, change the battery.
- Change the location of the remote control on the car.
- A metal garage door, foil-backed insulation or metal siding will reduce the transmission range.
- Use outside coaxial antenna adapter to move antenna.

### 5. Door reverses for no apparent reason and opener light doesn't blink:

- Is something obstructing the door? Pull manual release handle. Operate door manually. If it is unbalanced or binding, call for professional garage door service.
- Clear any ice or snow from garage floor area where garage door closes.
- Review *Force Settings*. Open and close the door in learn mode for several (3-5) consecutive cycles to allow the operator to adjust to inconsistent doors.
- If door reverses in FULLY CLOSED position, re-learn travel limits. Repeat safety reverse test after adjustment is complete.

The need for occasional adjustment of the force and limit settings is normal. Weather conditions in particular can affect door travel.

### 6. Door reverses for no apparent reason and opener light blinks for 5 seconds after reversing:

Check The Protector System™ (if you have installed this accessory). If the light is blinking, correct alignment.

### 7. Opener noise is disturbing in living quarters of home:

If operational noise is a problem because of proximity of the opener to the living quarters, Vibration Isolator Kit 41A3263 can be installed. This kit was designed to reduce the "sounding board effect" and is easy to install.

### 8. The garage door opens and closes by itself:

- Delete all remote controls and reprogram.
- Make sure remote push button is not stuck "on".
- Disconnect all push buttons or key switches attached and wait one day.

### 9. Door stops but doesn't close completely:

Review Limit Adjustment section.

Repeat safety reverse test after any adjustment of door arm length, close force or down limit.

### 10. Door opens but won't close:

- Check The Protector System™ (if you have installed this accessory). If the light is blinking, correct alignment.
- If opener light does not blink and it is a new installation, check the down force.

Repeat the safety reverse test after the adjustment is complete.

### 11. Opener light does not turn on:

Replace light bulb (40 Watts maximum). Replace burned out bulbs with rough service light bulbs.

### 12. Opener light does not turn off:

There may be a defective earth at the ceiling or wall receptacle. The unit must be earthed.

### 13. Opener strains or stops during opening:

Door may be unbalanced or springs are broken. Close door and use manual release rope and handle to disconnect trolley. Open and close door manually. A properly balanced door will stay in any point of travel while being supported entirely by its springs. If it does not, call for professional garage door service to correct the problem. Do not change force settings.

### 14. Opener motor hums briefly, then won't work:

- Garage door springs are broken. SEE ABOVE.
- If problem occurs on first operation of opener, door is locked. Disable door lock. If chain was removed and reinstalled, the motor may be out of phase. Remove chain; cycle motor to down position. Observe drive sprocket. When it turns in clockwise direction and stops in down position, re-install chain.

Repeat safety reverse test after adjustment is complete.

### 15. Opener won't activate due to power failure:

- Pull manual release rope and handle down to disconnect trolley. Door can be opened and closed manually. When the power is restored, pull the manual release handle straight back. The next time the opener is activated, the trolley will reconnect.
- The Outside Quick Release accessory (if fitted) disconnects the trolley from outside the garage in case of power failure.

## CARE OF YOUR OPENER

When properly installed, opener will provide high performance with a minimum of maintenance. The opener does not require additional lubrication.

**Limit Adjustments:** These adjustments must be checked and properly set when opener is installed. Only a screwdriver is required. *Weather conditions may cause some minor changes in the door operation, requiring some re-adjustments, particularly during the first year of operation.*

Refer to the limit adjustments and force settings on page 5. Follow the instructions carefully and **repeat the safety reverse test after any adjustment.**

**Remote Control Transmitter:** The portable remote control may be secured to a car sun visor with the clip provided. Additional remotes can be purchased at any time for use in all vehicles using garage. Refer to Accessories. Any new remotes must be set to the same code as the original remote.

**Remote Control Battery:** The lithium batteries should produce power for up to 5 years. If transmission range lessens, check the battery.

**To Change Battery:** To replace batteries, use the visor clip or screwdriver blade to pry open the case. Insert batteries *positive side up*. To replace cover, snap shut along both sides. Do not dispose of the old battery with household waste. Take batteries to a proper disposal center.

## MAINTENANCE OF YOUR OPENER

### Once a Month:

- *Repeat safety reverse test.* Make any necessary adjustments.
- *Manually operate door.* If it is unbalanced or binding, call for professional garage door service.
- *Check to be sure door opens and closes fully.* Adjust Limits and/or Force settings if necessary.

### Once a Year:

*Oil door rollers, bearings and hinges.* The opener does not require additional lubrication. Do not grease the door tracks. **Grease rail and trolley once a year.**

## OPERATION OF YOUR OPENER

Your opener can be activated by any of the following devices:

- **The Lighted Door Control Button.** Hold the button down until door starts to move.
- **The Outside Keylock or Keyless Entry System** (if you have installed either of these accessories).
- **The Remote Control Transmitter.** Hold the push button down until the door starts to move.

### Opening the Door Manually:

**Door should be fully closed if possible. Weak or broken springs could allow an open door to fall rapidly. Property damage or serious personal injury could result.**

The door can be opened manually by pulling the release handle down and back (toward the opener). To reconnect the door, pull the release handle straight down.

**Do not use the manual release handle to pull the door opener or closed.**

### When the Opener is Activated by Remote Control or Lighted Door Control Button:

1. If open, the door will close. If closed, the door will open.
2. If closing, the door will stop.
3. If opening, the door will stop.
4. If the door has been stopped in a partially open or closed position, it reverse direction.
5. If an obstruction is encountered while closing, the door will reverse.
6. If an obstruction is encountered while opening, the door will reverse briefly.
7. The optional Protector System™ uses an invisible beam which, when broken by an obstruction, causes a closing door to open and prevents an open door from closing. It is **STRONGLY RECOMMENDED** for homeowners with young children.

Allow a 15 minute cooling period after 5 continuous operations of the opener.

**The opener light** will turn on: 1. when opener is initially plugged in; 2. when the power is interrupted; 3. when the opener is activated. The light turns off automatically after 2-1/2 minutes. Bulb size is 40 Watts maximum.

## SPECIFICATIONS

Max. Pull Force.....800N  
 Rated Power.....400 W

### Motor

Type.....Permanent split capacitor  
 Speed .....1500 rpm  
 Volts.....230-240 Volts AC-50Hz Only  
 Noise level .....60dB

### Drive Mechanism

Gears .....16:1 worm gear reduction  
 Drive .....Chain with two-piece trolley on steel rail.  
 Length of Travel.....Adjustable to 2,3m (7-1/2 feet)  
 Travel Rate .....96-135mm (3,8"-5,3") per second  
 Lamp.....On when door starts, off 2-1/2 minutes after stop.  
 Door Linkage .....Adjustable door arm. Pull cord trolley release.

### Safety

Personal .....Push button stop in UP and DOWN direction. Automatic force reversal in UP and DOWN direction.  
 Electronic.....Automatic force adjustments.  
 Electrical .....Motor overload protector and low voltage push button wiring.  
 Limit Device .....Circuit actuated by limit nut.  
 Limit Adjustment .....Screwdriver adjustment on side panel.  
 Start Circuit.....Low voltage push button circuit.

### Dimensions

Length (Overall).....3,1m (122-1/2")  
 Headroom Required .....30mm  
 Hanging Weight .....14,5 kg (32 lb)

### Receiver

Memory Registers .....8  
 Keypad Code Memory....1

**SPECIAL NOTE:** Chamberlain strongly recommends that the protector system be installed on all garage door openers.

**GARAGE DOOR OPENER WARRANTY**

Chamberlain GmbH warrants to the first retail purchaser of this product (5580-2GB) that the product shall be free from any defect in materials and/or workmanship for a period of 24 full months (2 years) from the date of purchase. Upon receipt of the product, the first retail purchaser is under obligation to check the product for any visible defects.

**Conditions:** The warranty is strictly limited to the reparation or replacement of the parts of this product which are found to be defective and does not cover the costs or risks of transportation of the defective parts or product.

This warranty does not cover non-defect damage caused by unreasonable use (including use not in complete accordance with Chamberlain's instructions for installation, operation and care; failure to provide necessary maintenance and adjustment; or any adaptations of or alterations to the products), labor charges for dismantling or reinstalling of a repaired or replaced unit or replacement batteries.

A product under warranty which is determined to be defective in materials and/or workmanship will be repaired or replaced (at Chamberlain's option) at no cost to the owner for the repair and/or replacement parts and/or product. Defective parts will be repaired or replaced with new or factory rebuilt parts at Chamberlain's option.

If, during the warranty period, the product appears as though it may be defective, contact your original place of purchase.

This warranty does not affect the purchaser's statutory rights under applicable national legislation in force nor the purchaser's rights against the retailer arising from their sales/purchase contract. In the absence of applicable national or EU legislation, this warranty will be the purchaser's sole and exclusive remedy, and neither Chamberlain nor its affiliates or distributors shall be liable for any incidental or consequential damages for any express or implied warranty relating to this product.

No representative or person is authorized to assume for Chamberlain any other liability in connection with the sale of this product.



11-en

**Declaration of Conformity**

Automatic garage door openers, as stated, are in conformity to the applicable sections of EN55014-1 (2000), EN55014-2 (1997), EN61000-3-2 (2000), EN61000-3-3 (1995), EN 301 489-3 (V1.3.1), EN 300 220-3 (V1.1.1), EN60335-1 (1994), and EN60335-2-95 (2004).

Per the provisions of the European Directives, 2004/108/EC, 2006/95/EC and 1999/5/EC, including all amendments;

Model: .....5580

Manufacturer The Chamberlain Group, Inc.  
845 Larch Avenue  
Elmhurst, Illinois 60126  
USA

All technical file information for the operator and its accessories is held at The Chamberlain Group and will be made available at the request of the authorities should the need arise.

**Declaration of Incorporation**

A power door operator must not be put into service until it has been completely and safely assembled and installed, with appropriate size and weight of door, in accordance with both the door and operator manufacturers' instructions using suitable connection arms, appropriate safety devices, and the complete installation has been declared in conformity with the provisions of EN12453, EN13241-1 and the Machinery Directive, 89/392/EEC.

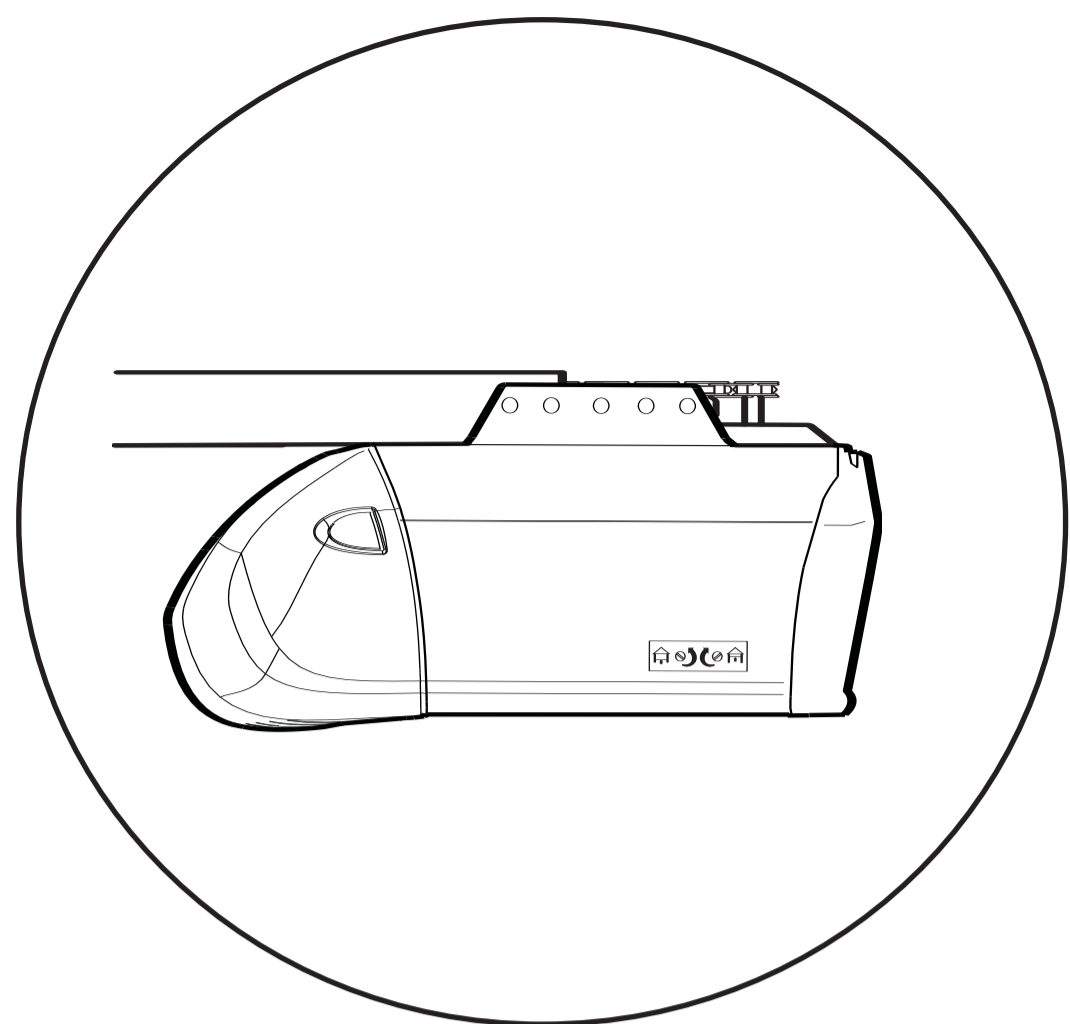
Door Types: Canopy, Fully Retracting or Sectional				
Operator Type	Maximum Area (m2)	Installer: Indicate Installed Door Size	Maximum Weight (kg)	Installer: Indicate Installed Door Weight
5580	13.5		110	

Other Requirements: Operators used in the following installations must also be installed with the items noted below.

Door Type	Accessory	Installer: Indicate if "not applicable" or if the item is installed
Canopy	The Chamberlain Arm	
Canopy	The Protector System	
Sectional, 3m high	The Protector System	

<p><i>Barbara P. Kelkhoff</i></p> <p>B. P. Kelkhoff Manager, Regulatory Affairs</p> <p>Chamberlain GmbH. D-66793 Saarqellingen March, 2008</p>	<p>_____ Installer Name/Signature</p> <p>_____ Company Name</p> <p>_____ Address</p> <p>_____ Date</p>
--	--

- de** Abbildungen 3780 / 5580
- fr** Figures 3780 / 5580
- en** Illustrations 3780 / 5580
- da** Illustration 3780 / 5580
- es** Ilustraciones 3780 / 5580
- el** Σχήματα 3780 / 5580
- it** Illustrazioni 3780 / 5580
- no** Illustrasjon 3780 / 5580
- nl** Afbeeldingen 3780 / 5580
- pt** Figuras 3780 / 5580
- sv** Bild. 3780 / 5580
- fi** Kuvat 3780 / 5580



CE  
 AT/BAR/BUK/CY/CZ/DE/UK/ES/  
 FR/GB/GR/HU/IE/IT/LT/LUX/MT/NL/  
 NO/PL/PT/RU/SE/SK/TR/TY

